



PORTABLE GENERATOR

Operator's Manual
Manual del Operario

5000 WATT 6250 STARTING WATTS

Model / Modelo 030219

Questions? Help is just a moment away!
Preguntas? La ayuda es justa un momento lejos!
Call: **Generator Helpline**
Llame: **Línea Directa del Generador**
1-800-743-4115 M-F 8-5 CT
web: www.briggsandstratton.com



WARNING

Before using this product, read this manual and follow all Safety Rules and Operating Instructions.



ADVERTENCIA

Antes de utilizar el producto, lea este manual y siga todas las Reglas de Seguridad e Instrucciones de Uso.



0 24847 38862 6

BRIGGS & STRATTON POWER PRODUCTS GROUP, LLC
JEFFERSON, WISCONSIN, U.S.A.


Manual No. 199824GS
Revision A (04/25/2006)

SAVE THESE INSTRUCTIONS

TABLE OF CONTENTS

Safety Rules 2-4
 Features and Controls 5
 Assembly 6-7
 Operation 8-11
 Specifications 12
 Maintenance 13-16
 Storage 17
 Troubleshooting 18
 Notes 19 & 22
 Emissions Control Warranties 20-21
 Warranty 23
 Español 24-44

EQUIPMENT DESCRIPTION

 **Read this manual carefully and become familiar with your generator. Know its applications, its limitations and any hazards involved.**


The generators are an engine-driven, revolving field, alternating current (AC) generator. It was designed to supply electrical power for operating compatible electrical lighting, appliances, tools and motor loads. The generator's revolving field is driven at about 3,600 rpm by a single-cylinder engine.


CAUTION! DO NOT exceed the generator's wattage/amperage capacity. See "Don't Overload Generator".

Every effort has been made to ensure that information in this manual is accurate and current. However, we reserve the right to change, alter or otherwise improve the product and this document at any time without prior notice.

The Emission Control System for this generator is warranted for standards set by the Environmental Protection Agency and the California Air Resources Board.





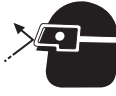



SAFETY RULES

 **This is the safety alert symbol. It is used to alert you to potential personal injury hazards. Obey all safety messages that follow this symbol to avoid possible injury or death.**

The safety alert symbol () is used with a signal word (DANGER, CAUTION, WARNING), a pictorial and/or a safety message to alert you to hazards. **DANGER** indicates a hazard which, if not avoided, will result in death or serious injury. **WARNING** indicates a hazard which, if not avoided, could result in death or serious injury. **CAUTION** indicates a hazard which, if not avoided, might result in minor or moderate injury. **CAUTION**, when used **without** the alert symbol, indicates a situation that could result in equipment damage. Follow safety messages to avoid or reduce the risk of injury or death.

 WARNING
The engine exhaust from this product contains chemicals known to the State of California to cause cancer, birth defects, or other reproductive harm.

Hazard Symbols and Meanings

		
Operator's Manual	Electrical Shock	
		
Explosion	Fire	Flying Objects
		
Toxic Fumes	Kickback	Hot Surface

Copyright © 2006 Briggs & Stratton Power Products Group, LLC. All rights reserved. No part of this material may be reproduced or transmitted in any form by any means without the express written permission of Briggs & Stratton Power Products Group, LLC.

SAFETY RULES

WARNING



Running generator gives off carbon monoxide, an odorless, colorless, poison gas.

Breathing carbon monoxide can cause nausea, fainting or death.

- Operate generator **ONLY** outdoors.
- Keep exhaust gas from entering a confined area through windows, doors, ventilation intakes or other openings.
- **DO NOT** operate generator inside any building or enclosure (even if doors or windows are open), including the generator compartment of a recreational vehicle (RV).

WARNING



Generator produces powerful voltage.

Failure to isolate generator from power utility can result in death or injury to electric utility workers due to backfeed of electrical energy.

- When using generator for backup power, notify utility company. Use approved transfer equipment to isolate generator from electric utility.
- Use a ground fault circuit interrupter (GFCI) in any damp or highly conductive area, such as metal decking or steel work.
- **DO NOT** touch bare wires or receptacles.
- **DO NOT** use generator with electrical cords which are worn, frayed, bare or otherwise damaged.
- **DO NOT** operate generator in the rain or wet weather.
- **DO NOT** handle generator or electrical cords while standing in water, while barefoot, or while hands or feet are wet.
- **DO NOT** allow unqualified persons or children to operate or service generator.

WARNING



Rapid retraction of starter cord (kickback) will pull hand and arm toward engine faster than you can let go.

Broken bones, fractures, bruises or sprains could result.

- When starting engine, pull cord slowly until resistance is felt and then pull rapidly to avoid kickback.
- **NEVER** start or stop engine with electrical devices plugged in and turned on.

WARNING



Fuel and its vapors are extremely flammable and explosive.



Fire or explosion can cause severe burns or death.

WHEN ADDING OR DRAINING FUEL

- Turn generator **OFF** and let it cool at least 2 minutes before removing fuel cap. Loosen cap slowly to relieve pressure in tank.
- Fill or drain fuel tank outdoors.
- **DO NOT** overfill tank. Allow space for fuel expansion.
- Wait for spilled fuel to evaporate before starting engine.
- Keep fuel away from sparks, open flames, pilot lights, heat, and other ignition sources.
- **DO NOT** light a cigarette or smoke.

WHEN STARTING EQUIPMENT

- Ensure spark plug, muffler, fuel cap and air cleaner are in place.
- **DO NOT** crank engine with spark plug removed.

WHEN OPERATING EQUIPMENT

- **DO NOT** tip engine or equipment at angle which causes fuel to spill.
- This generator is not for use in mobile equipment or marine applications.

WHEN TRANSPORTING OR REPAIRING EQUIPMENT

- Transport/repair with fuel tank **EMPTY** or with fuel shutoff valve **OFF**.
- Disconnect spark plug wire.

WHEN STORING FUEL OR EQUIPMENT WITH FUEL IN TANK

- Store away from furnaces, stoves, water heaters, clothes dryers or other appliances that have pilot light or other ignition source because they can ignite fuel vapors.

WARNING

- This generator does not meet U. S. Coast Guard Regulation 33CFR-183 and should not be used on marine applications.
- Failure to use the appropriate U. S. Coast Guard approved generator could result in death or serious injury and/or property damage.

SAFETY RULES

WARNING



Unintentional sparking can result in fire or electric shock.



WHEN ADJUSTING OR MAKING REPAIRS TO YOUR GENERATOR

- Disconnect the spark plug wire from the spark plug and place the wire where it cannot contact spark plug.

WHEN TESTING FOR ENGINE SPARK

- Use approved spark plug tester.
- DO NOT check for spark with spark plug removed.

WARNING



Running engines produce heat. Temperature of muffler and nearby areas can reach or exceed 150°F (65°C).



Severe burns can occur on contact.

Exhaust heat/gases can ignite combustibles, structures or damage fuel tank causing a fire.

- DO NOT touch hot surfaces and avoid hot exhaust gases.
- Allow equipment to cool before touching.
- Keep at least 5 ft. (152 cm) clearance on all sides of generator including overhead.
- Code of Federal Regulation (CFR) Title 36 Parks, Forests, and Public Property require equipment powered by an internal combustion engine to have a spark arrester, maintained in effective working order, complying to USDA Forest service standard 5100-1C or later revision. In the State of California a spark arrester is required under section 4442 of the California Public resources code. Other states may have similar laws.

CAUTION

Excessively high operating speeds increase risk of injury and damage to generator.

Excessively low speeds impose a heavy load.

- DO NOT tamper with governed speed. Generator supplies correct rated frequency and voltage when running at governed speed.
- DO NOT modify generator in any way.

CAUTION

Exceeding generators wattage/amperage capacity can damage generator and/or electrical devices connected to it.

- See “Don’t Overload Generator”.
- Start generator and let engine stabilize before connecting electrical loads.
- Connect electrical loads in OFF position, then turn ON for operation.
- Turn electrical loads OFF and disconnect from generator before stopping generator.

CAUTION

Improper treatment of generator can damage it and shorten its life.

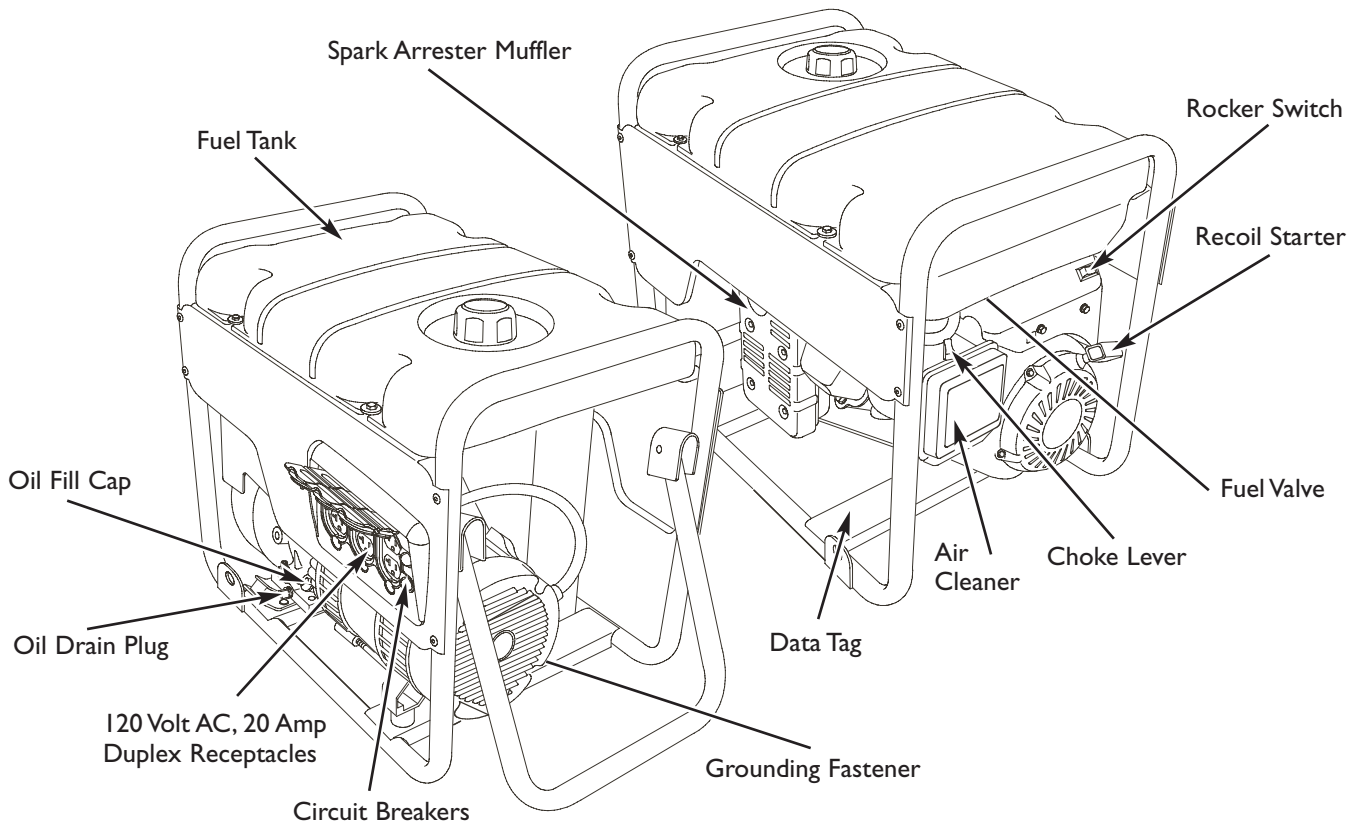
- Use generator only for intended uses.
- If you have questions about intended use, ask dealer or call 1-800-743-4115.
- Operate generator only on level surfaces.
- DO NOT expose generator to excessive moisture, dust, dirt, or corrosive vapors.
- DO NOT insert any objects through cooling slots.
- If connected devices overheat, turn them off and disconnect them from generator.
- Shut off generator if:
 - electrical output is lost;
 - equipment sparks, smokes, or emits flames;
 - unit vibrates excessively.

KNOW YOUR GENERATOR



Read this operator's manual and safety rules before operating your generator.

Compare the illustrations with your generator to familiarize yourself with the locations of various controls and adjustments. Save this manual for future reference.



120 Volt AC, 20 Amp, Duplex Receptacles — May be used to supply electrical power for the operation of 120 Volt AC, 20 Amp, single phase, 60 Hz electrical, lighting, appliance, tool and motor loads.

Air Cleaner — Protects engine by filtering dust and debris out of intake air.

Choke Lever — Used when starting a cold engine.

Circuit Breakers (AC) — Push to reset circuit breakers are provided to protect the generator against electrical overload.

Data Tag — Provides model, revision and serial number of generator. Please have these readily available when calling for assistance.

Fuel Tank — Capacity of four (4) U.S. gallons (15 l).

Fuel Valve — Used to turn fuel supply on and off to engine.

Grounding Fastener — Consult your local agency having jurisdiction for grounding requirements in your area.

Oil Drain Plug — Remove to drain engine oil.

Oil Fill Cap — Check and fill engine with oil here.

Recoil Starter — Used to start the engine.

Rocker Switch — Set this switch to "On" before using recoil starter. Set switch to "Off" to switch off engine.

Spark Arrester Muffler — Exhaust muffler lowers engine noise and is equipped with a spark arrester screen.

ASSEMBLY

ASSEMBLY

Your generator requires some assembly and is ready for use after it has been properly serviced with the recommended oil and fuel.

If you have any problems with the assembly of your generator, please call the generator helpline at **1-800-743-4115**. If calling for assistance, please have the model, revision, and serial number from the data tag available. See "Know Your Generator" for data tag location.

Unpacking the Generator

1. Set the carton on a rigid flat surface.
2. Remove everything from carton except generator.
3. Open carton completely by cutting each corner from top to bottom.
4. Leave generator on carton to install wheel kit.

Install Wheel Kit

NOTE: Wheel kit is not intended for over-the-road use. You will need the following tools to install these components:

- 13mm wrench
- Socket wrench with a 13mm socket
- Pliers

- Safety glasses

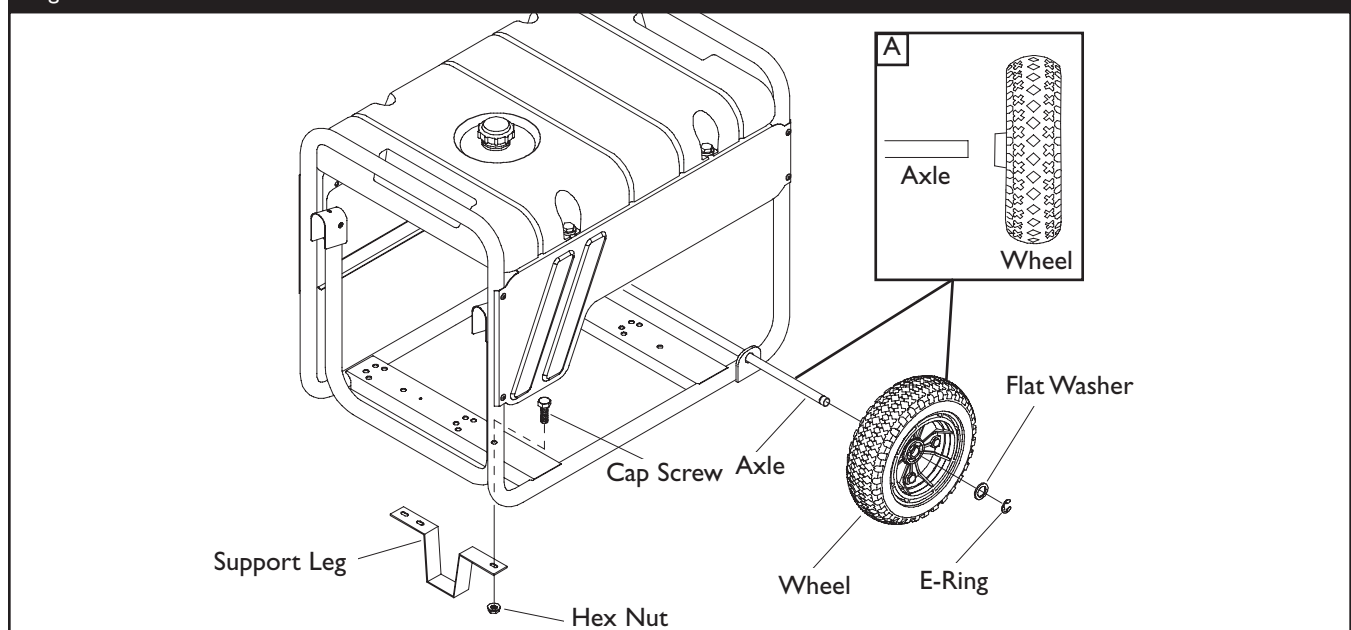
Refer to Figure 1 and install the wheel kit as follows:

1. Tip generator so that engine end is up.
2. Slide axle through both mounting brackets.
3. Place a wheel on each side as shown in Figure 1A.
4. Place a washer on axle and then place an e-ring in axle groove.

 CAUTION	
	E-rings can cause eye injury.
	E-rings can spring back and become airborne when installing or removing.
• Always wear eye protection when installing/removing e-rings.	

5. Install e-ring with pliers, squeezing from top of e-ring to bottom of axle.
6. Repeat step 4 and 5 to secure second wheel.
7. Tip generator so that engine side is down.
8. Line up holes in support leg with holes in generator frame.
9. Attach support leg using two short (M8 x 16mm) cap screws and two locking hex nuts. Tighten with a 13mm socket and wrench.
10. Return generator to normal operating position (resting on wheels and support leg).

Figure 1 — Install Wheel Kit



BEFORE STARTING THE ENGINE

Add Engine Oil

CAUTION! Any attempt to crank or start the engine before it has been properly serviced with the recommended oil may result in an engine failure.

1. Place generator on a flat, level surface.
2. Clean area around oil fill and remove yellow oil fill cap.




NOTE: See the section “Oil” on page 14 to review oil recommendations. Verify provided oil bottle is correct viscosity for current ambient temperature.

3. Using oil funnel (optional), slowly pour contents of provided oil bottle into oil fill opening.
4. Replace oil fill cap and fully tighten.

Add Fuel

All fuel is not the same. If a starting or performance problem is encountered immediately after new fuel has been used, try another service station or change brands.

NOTE: This engine is certified to operate on gasoline. Exhaust Emissions Control System: EM (Engine Modifications).

 WARNING	
	Fuel and its vapors are extremely flammable and explosive.
	Fire or explosion can cause severe burns or death.
WHEN ADDING FUEL	
<ul style="list-style-type: none"> • Turn generator OFF and let it cool at least 2 minutes before removing fuel cap. Loosen cap slowly to relieve pressure in tank. • Fill fuel tank outdoors. • DO NOT overfill tank. Allow space for fuel expansion. • Wait for spilled fuel to evaporate before starting engine. • Keep fuel away from sparks, open flames, pilot lights, heat, and other ignition sources. • DO NOT light a cigarette or smoke. 	

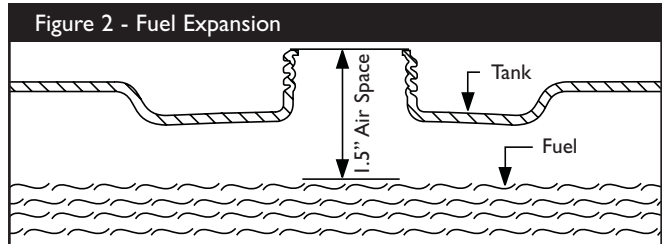
Type of Fuel

1. Always use clean, fresh, UNLEADED gasoline with a minimum of 87 octane/87 AKI (91 RON) with equipment. DO NOT mix oil with fuel. DO NOT modify the engine fuel system or carburetor to run on alternative fuels.

NOTE: Fuel with up to 10% ethanol (gasohol) or up to 15% MTBE (methyl tertiary butyl ether), is acceptable.

IMPORTANT: Use of any fuel other than those approved above will **void warranty**. Some areas require that fuel pumps be marked if the fuel contains alcohols or ethers. If you are not sure if your fuel contains alcohol or ethers that are different than those approved above, then check with the service station operator.

2. Clean area around fuel fill cap, remove cap.
3. Slowly add unleaded gasoline to fuel tank. Be careful not to overfill. Allow about 1.5" of tank space for fuel expansion, as shown in Figure 2.



4. Install fuel cap and let any spilled fuel evaporate before starting engine.

To avoid engine problems, the fuel system should be treated with a fuel preserver or emptied before storage of 30 days or longer. To protect the fuel system from gum formation, use Briggs & Stratton FRESH START™ fuel stabilizer plus, or FRESH START™ continuous fuel preserver (concentrated liquid cartridge), or FRESH START™ preservative & stabilizer (granular). If fuel preserver is not used, drain the fuel tank, start the engine and let it run until the fuel lines and carburetor are empty. Use fresh fuel next season. See “Storage” on page 17 for additional information.

NEVER use engine or carburetor cleaner products in the fuel tank as permanent damage may occur.

High-altitude use

Operation at high altitudes (over 5,000 feet), may require a high-altitude carburetor jet kit to improve performance and decrease fuel consumption. See your local authorized Briggs & Stratton dealer for more information.

USING THE GENERATOR

System Ground

The generator has a system ground that connects the generator frame components to the ground terminals on the AC output receptacles. The system ground is connected to the AC neutral wire (see “Equipment Description”, earlier in this manual).

Special Requirements

There may be Federal or State Occupational Safety and Health Administration (OSHA) regulations, local codes, or ordinances that apply to the intended use of the generator. Please consult a qualified electrician, electrical inspector, or the local agency having jurisdiction.

- In some areas, generators are required to be registered with local utility companies.
- If the generator is used at a construction site, there may be additional regulations which must be observed.

Connecting to a Building’s Electrical System

Connections for standby power to a building’s electrical system must be made by a qualified electrician. The connection must isolate the generator power from utility power, and must comply with all applicable laws and electrical codes.

⚠ WARNING



Generator produces powerful voltage. Failure to isolate generator from power utility can result in death or injury to electric utility workers due to backfeed of electrical energy.

- When using generator for backup power, notify utility company. Use approved transfer equipment to isolate generator from electric utility.
- Use a ground fault circuit interrupter (GFCI) in any damp or highly conductive area, such as metal decking or steel work.
- DO NOT touch bare wires or receptacles.
- DO NOT use generator with electrical cords which are worn, frayed, bare or otherwise damaged.
- DO NOT operate generator in the rain or wet weather.
- DO NOT handle generator or electrical cords while standing in water, while barefoot, or while hands or feet are wet.
- DO NOT allow unqualified persons or children to operate or service generator.

Generator Location

Generator Clearance

⚠ WARNING



Exhaust heat/gases can ignite combustibles, structures or damage fuel tank causing a fire.

- Keep at least 5 ft. (152 cm) clearance on all sides of generator including overhead.

Place generator in a well ventilated area, which will allow for removal of deadly exhaust gas. DO NOT place generator where exhaust gas could accumulate and enter inside or be drawn into a potentially occupied building. Ensure exhaust gas is kept away from any windows, doors, ventilation intakes or other openings that can allow exhaust gas to collect in a confined area (Figure 3). Prevailing winds and air currents should be taken into consideration when positioning generator.

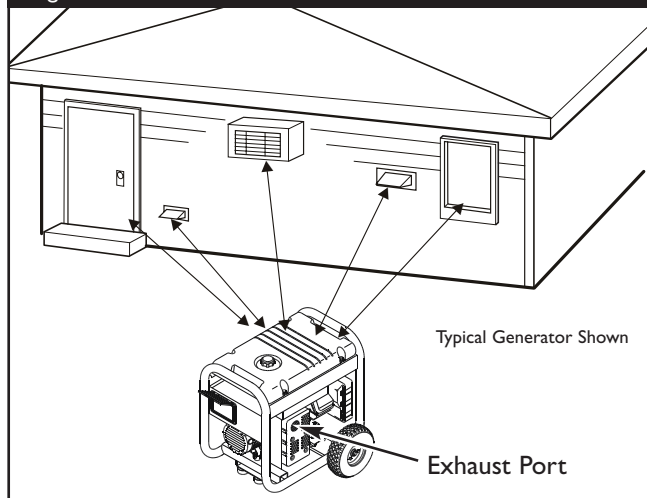
⚠ WARNING



Running generator gives off carbon monoxide, an odorless, colorless, poison gas. Breathing carbon monoxide can cause nausea, fainting or death.

- Operate generator ONLY outdoors.
- Keep exhaust gas from entering a confined area through windows, doors, ventilation intakes or other openings.
- DO NOT operate generator inside any building or enclosure (even if doors or windows are open), including the generator compartment of a recreational vehicle (RV).

Figure 3 — Generator Clearance

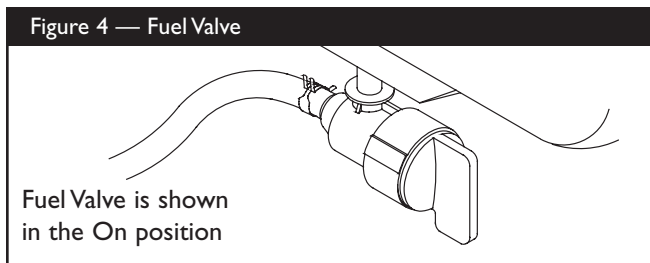


OPERATING THE GENERATOR

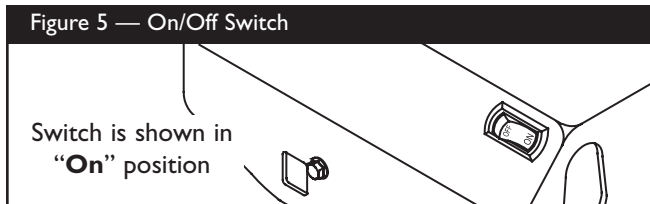
Starting the Engine

Disconnect all electrical loads from the generator. Use the following start instructions:

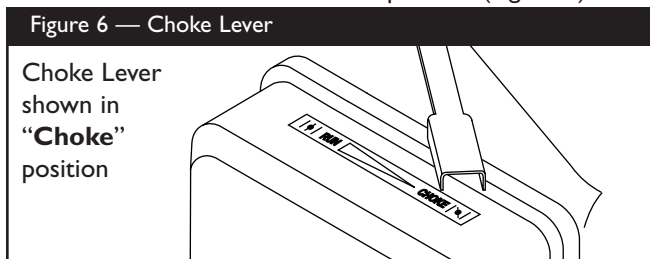
1. Make sure unit is on a level surface.
2. Turn fuel valve to “On” position (Figure 4). Fuel valve handle should be vertical (pointing toward ground) for fuel to flow.



3. Set on/off switch to “On” position (Figure 5).



4. Place choke lever in “Choke” position (Figure 6).



5. Grasp recoil handle and pull slowly until slight resistance is felt. Then pull handle rapidly to overcome compression, prevent kickback and start engine.

⚠ WARNING	
	<p>Rapid retraction of starter cord (kickback) will pull hand and arm toward engine faster than you can let go.</p> <p>Broken bones, fractures, bruises or sprains could result.</p>
<ul style="list-style-type: none"> • When starting engine, pull cord slowly until resistance is felt and then pull rapidly to avoid kickback. • NEVER start or stop engine with electrical devices plugged in and turned on. 	

IMPORTANT: If excessive fuel is present in the air/fuel mixture causing a “flooded” condition, move choke lever to “Run” position and pull handle repeatedly until engine starts.

6. Move choke lever to “Run” position a short distance at a time over several seconds in warm weather or minutes in cold weather. Let engine run smoothly before each change. Operate with choke in “Run” position.

⚠ WARNING	
	<p>Running engines produce heat. Temperature of muffler and nearby areas can reach or exceed 150°F (65°C).</p>
	<p>Severe burns can occur on contact.</p> <p>Exhaust heat/gases can ignite combustibles, structures or damage fuel tank causing a fire.</p>
<ul style="list-style-type: none"> • DO NOT touch hot surfaces and avoid hot exhaust gases. • Allow equipment to cool before touching. • Keep at least 5 ft. (152 cm) clearance on all sides of generator including overhead. • Code of Federal Regulation (CFR) Title 36 Parks, Forests, and Public Property require equipment powered by an internal combustion engine to have a spark arrester, maintained in effective working order, complying to USDA Forest service standard 5100-1C or later revision. In the State of California a spark arrester is required under section 4442 of the California Public resources code. Other states may have similar laws. 	

Connecting Electrical Loads

- Let engine stabilize and warm up for a few minutes after starting.
- Plug in and turn on the desired 120 and/or 240 Volt AC, single phase, 60 Hz electrical loads.
- DO NOT connect 240 Volt loads to the 120 Volt duplex receptacles.
- DO NOT connect 3-phase loads to the generator.
- DO NOT connect 50 Hz loads to the generator.
- **DO NOT OVERLOAD THE GENERATOR.** See “Don’t Overload Generator”.

CAUTION

Exceeding generator’s wattage/amperage capacity can damage generator and/or electrical devices connected to it.

- See “Don’t Overload Generator”.
- Start generator and let engine stabilize before connecting electrical loads.
- Connect electrical loads in OFF position, then turn ON for operation.
- Turn electrical loads OFF and disconnect from generator before stopping generator.

Stopping the Engine

1. Turn OFF and unplug **all** electrical loads from generator panel receptacles. NEVER start or stop engine with electrical devices plugged in and turned ON.
2. Let engine run at no-load for several minutes to stabilize internal temperatures of engine and generator.
3. Move on/off switch to “Off” position.



CAUTION

Backfire, fire or engine damage could occur.

- DO NOT stop engine by moving choke lever to “Choke” position.

4. Move fuel valve to “Off” position.

RECEPTACLES

CAUTION

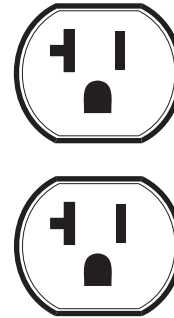
Receptacles may be marked with rating value greater than generator output capacity.

- NEVER attempt to power a device requiring more amperage than generator or receptacle can supply.
- DO NOT overload the generator. See “Don’t Overload Generator”.

120 Volt AC, 20 Amp, Duplex Receptacles

Each duplex receptacle (Figure 7) is protected against overload by a push-to-reset circuit breaker.

Figure 7 — 120 Volt, 20 Amp Duplex Receptacles

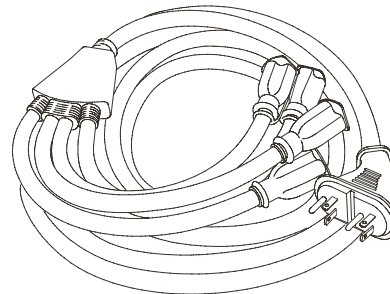


Use each receptacle to operate 120 Volt AC, single-phase, 60 Hz electrical loads requiring up to 2,400 watts (2.4 kW) at 20 Amps of current. Use cord sets that are rated for 125 Volt AC loads at 20 Amps (or greater).

GENERATOR ADAPTER CORD SET

The generator comes with a 25’ generator adapter cord set designed to provide two sets of 120 Volt, 20 Amp outlets from one 120 Volt, 20 Amp duplex receptacle (Figure 8). The generator adapter cord set provides a convenient supply of emergency power so that your generator can be operated safely outside.

Figure 8 — Generator Adapter Cord Set



The maximum load on each outlet is 20 Amps. The maximum total load on both black wire outlets or white stripe wire outlets is 20 Amps.

NOTE: Follow all safety precautions when connecting any extension cord or device to the generator.

OPERATION

DON'T OVERLOAD GENERATOR

Capacity

You must make sure your generator can supply enough rated (running) and surge (starting) watts for the items you will power at the same time. Follow these simple steps:

1. Select the items you will power at the same time.
2. Total the rated (running) watts of these items. This is the amount of power your generator must produce to keep your items running. See Figure 9.
3. Estimate how many surge (starting) watts you will need. Surge wattage is the short burst of power needed to start electric motor-driven tools or appliances such as a circular saw or refrigerator. Because not all motors start at the same time, total surge watts can be estimated by adding only the item(s) with the highest additional surge watts to the total rated watts from step 2.

Example:

Tool or Appliance	Rated (Running) Watts	Additional Surge (Starting) Watts
Window Air Conditioner	1200	1800
Refrigerator	800	1600
Deep Freezer	500	500
Television	500	-
Light (75 Watts)	75	-
	3075 Total Running Watts	1800 Highest Surge Watts

Total Rated (Running) Watts = 3075

Highest Additional Surge Watts = 1800

Total Generator Output Required = 4875

Power Management

To prolong the life of your generator and attached devices, it is important to take care when adding electrical loads to your generator. There should be nothing connected to the generator outlets before starting its engine. The correct and safe way to manage generator power is to sequentially add loads as follows:

1. With nothing connected to the generator, start the engine as described in this manual.
2. Plug in and turn on the first load, preferably the largest load you have.
3. Permit the generator output to stabilize (engine runs smoothly and attached device operates properly).

4. Plug in and turn on the next load.
5. Again, permit the generator to stabilize.
6. Repeat steps 4 and 5 for each additional load.

NEVER add more loads than the generator capacity. Take special care to consider surge loads in generator capacity, as described above.

Figure 9 - Wattage Reference Chart

Tool or Appliance	Rated* (Running) Watts	Additional Surge (Starting) Watts
Essentials		
Light Bulb - 75 watt	75	-
Deep Freezer	500	500
Sump Pump	800	1200
Refrigerator/Freezer - 18 Cu. Ft.	800	1600
Water Well Pump - 1/3 HP	1000	2000
Heating/Cooling		
Window AC - 10,000 BTU	1200	1800
Window Fan	300	600
Furnace Fan Blower - 1/2 HP	800	1300
Kitchen		
Microwave Oven - 1000 Watt	1000	-
Coffee Maker	1500	-
Electric Stove - Single Element	1500	-
Hot Plate	2500	-
Family Room		
DVD/CD Player	100	-
VCR	100	-
Stereo Receiver	450	-
Color Television - 27"	500	-
Personal Computer w/17" monitor	800	-
Other		
Security System	180	-
AM/FM Clock Radio	300	-
Garage Door Opener - 1/2 HP	480	520
Electric Water Heater - 40 Gallon	4000	-
DIY/Job Site		
Quartz Halogen Work Light	1000	-
Airless Sprayer - 1/3 HP	600	1200
Reciprocating Saw	960	960
Electric Drill - 1/2 HP	1000	1000
Circular Saw - 7 1/4"	1500	1500
Miter Saw - 10"	1800	1800
Table Planer - 6"	1800	1800
Table Saw/Radial Arm Saw - 10"	2000	2000
Air Compressor - 1-1/2 HP	2500	2500

*Wattages listed are approximate only. Check tool or appliance for actual wattage.

SPECIFICATIONS

ENGINE TECHNICAL INFORMATION

This is a single cylinder, overhead valve(OHV), air cooled engine. It is a low emissions engine.

In the State of California, Model Series 150000 engines are certified by the California Air Resources Board to meet emissions standards for 250 hours. Such certification does not grant the purchaser, owner or operator of this engine any additional warranties with respect to the performance or operational life of this engine. The engine is warranted solely according to the product and emissions warranties stated elsewhere in this manual.

Power Ratings

*The power ratings for an individual engine model are initially developed by starting with SAE (Society of Automotive Engineers) code J1940 (Small Engine Power & Torque Rating Procedure) (Revision 2002-05). Given both the wide array of products on which our engines are placed, and the variety of environmental issues applicable to operating the equipment, it may be that the engine you have purchased will not develop the rated horsepower when used in a piece of power equipment (actual "on-site" power). This difference is due to a variety of factors including, but not limited to, the following: differences in altitude, temperature, barometric pressure, humidity, fuel, engine lubrication, maximum governed engine speed, individual engine to engine variability, design of the particular piece of power equipment, the manner in which the engine is operated, engine run-in to reduce friction and clean out of combustion chambers, adjustments to the valves and carburetor, and other factors. The power ratings may also be adjusted based on comparisons to other similar engines utilized in similar applications, and will therefore not necessarily match the values derived using the foregoing codes.

PRODUCT SPECIFICATIONS

Generator Specifications

Starting Wattage	6,250 Watts
Wattage	5,000 Watts
Rated AC Load Current:	
At 120 Volts	41.6 Amps
Phase	1-phase
Rated Frequency	60 Hertz
Shipping Weight	140 lbs.

Engine Specifications

Gross* Horsepower	8.0 at 3600 rpm
Bore	2.97 in. (75mm)
Stroke	2.20 in. (56mm)
Displacement	15.22 in. (249 cc)
Spark Plug	
Type:	Champion RC12YC or Equivalent
Set Gap To:	0.030inch (0.76mm)
Armature Air Gap:	0.010-0.014 in. (0.25-0.36mm)
Valve clearance with valve springs installed and piston 1/4 in. (6 mm) past top dead center (check when engine is cold).	
Intake	0.004-0.006 in. (0.10-0.15 mm)
Exhaust	0.009-0.011 in. (0.23-0.28 mm)
Fuel Capacity	4 U.S. gallons
Oil Capacity	.20 Ounces (.6 Liters)

NOTE: For practical operation, the generator load should not exceed 85% of rated wattage. Engine gross horsepower will decrease 3-1/2% for each 1,000 feet (300 meters) above sea level and 1% for each 10° F (5.6° C) above 77° F (25° C). It should operate satisfactorily at an angle up to 15°.

GENERAL RECOMMENDATIONS

Regular maintenance will improve the performance and extend the life of the generator. See any authorized dealer for service.

The generator's warranty does not cover items that have been subjected to operator abuse or negligence. To receive full value from the warranty, the operator must maintain generator as instructed in this manual.

Some adjustments will need to be made periodically to properly maintain your generator.

All service and adjustments should be made at least once each season. Follow the requirements in the "Maintenance Schedule" chart below in Figure 10.

NOTE: Once a year you should clean or replace the spark plug and replace the air filter. A new spark plug and clean air filter assure proper fuel-air mixture and help your engine run better and last longer.

GENERATOR MAINTENANCE

Generator maintenance consists of keeping the unit clean and dry. Operate and store the unit in a clean dry

environment where it will not be exposed to excessive dust, dirt, moisture or any corrosive vapors. Cooling air slots in the generator must not become clogged with snow, leaves, or any other foreign material.

Check the cleanliness of the generator frequently and clean when dust, dirt, oil, moisture or other foreign substances are visible on its exterior surface.

NOTE: DO NOT use water or other liquids to clean generator. Liquids can enter the engine fuel system causing poor performance and / or failure to occur. In addition, if liquids enters the generator through cooling air slots, some of the liquid will be retained in voids and cracks of the rotor and stator winding insulation. Liquid and dirt buildup on the generator internal windings will eventually decrease the insulation resistance of these windings.

Generator Cleaning

Daily or before use, clean accumulated debris from generator. Keep linkage, spring and controls clean. Keep area around and behind muffler free from any combustible debris.

Generator parts should be kept clean to reduce the risk of overheating and ignition of accumulated debris.

- Use a damp cloth to wipe exterior surfaces clean.
- Use a soft bristle brush to loosen caked on dirt, oil, etc.
- Use a vacuum cleaner to pick up loose dirt and debris.

Figure 10 – Maintenance Schedule

FILL IN DATES AS YOU COMPLETE REGULAR SERVICE MAINTENANCE TASK	SERVICE DATES				SERVICE DATES		
	Before Each Use	Every 25 Hours or Yearly	Every 50 Hours or Yearly	Every 100 Hours or Yearly			
Check oil level	X						
Clean debris	X						
Service air cleaner		X²					
Change engine oil			X¹				
Service spark plug				X			
Service spark arrester				X			
Clean cooling system				X²			
Prepare for storage	If unit is to remain idle for longer than 30 days.						

¹ Change oil after the first (5) operating hours and every 50 hours or every year, whichever occurs first, thereafter.

Change sooner when operating under dirty or dusty conditions.

² Replace more often under dirty or dusty conditions.

MAINTENANCE

- Use low pressure air (not to exceed 25 psi) to blow away dirt. Inspect cooling air slots and openings on the generator. These openings must be kept clean and unobstructed.

CAUTION

Improper treatment of generator can damage it and shorten its life.

- DO NOT expose generator to excessive moisture, dust, dirt, or corrosive vapors.
- DO NOT insert any objects through cooling slots.

ENGINE MAINTENANCE

WARNING



Unintentional sparking can result in fire or electric shock.



WHEN ADJUSTING OR MAKING REPAIRS TO YOUR GENERATOR

- Disconnect the spark plug wire from the spark plug and place the wire where it cannot contact spark plug.

WHEN TESTING FOR ENGINE SPARK

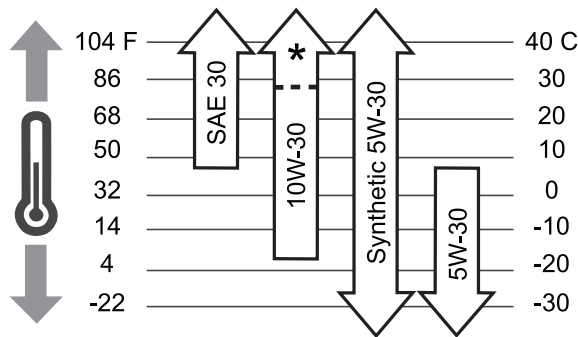
- Use approved spark plug tester.
- DO NOT check for spark with spark plug removed.

Oil

Oil Recommendations

NOTE: When adding oil to the engine crankcase, use only high quality detergent oil classified “For Service SF, SG, SH, SJ” or higher. DO NOT use special additives.

1. Choose a viscosity according to the following table:



NOTE: Synthetic oil meeting ILSAC GF-2, API certification mark and API service symbol with “SJ/CF ENERGY CONSERVING” or higher, is an acceptable oil at all temperatures. Use of synthetic oil does not alter required oil change intervals.

SAE 30: 40 °F and higher (5 °C and higher) is good for all purpose use above 40°F, use below 40°F will cause hard starting.

10W-30: 0 to 100 °F (-18 to 38 °C) is better for varying temperature conditions. This grade of oil improves cold weather starting, but may increase oil consumption at 80°F(27°C) or higher.

*Check oil level frequently at higher temperatures.

Synthetic 5W-30: -20 to 120 °F (-30 to 40 °C) provides the best protection at all temperatures as well as improved starting with less oil consumption.

5W-30: 40 °F and below (5 °C and below) is recommended for winter use, and works best in cold conditions.

Checking Oil Level

Oil level should be checked prior to each use or at least every 5 hours of operation. Keep oil level maintained.

1. Make sure generator is on a level surface.
2. Clean area around oil fill and remove oil fill cap.
3. Verify oil is at the point of overflowing at oil fill opening.
4. Replace and tighten oil fill cap.

Adding Engine Oil

1. Make sure generator is on a level surface.
2. Check oil level as described in “Checking Oil Level”.
3. If needed, slowly pour oil into oil fill opening to the point of overflowing at oil fill.
4. Replace and tighten oil fill cap.

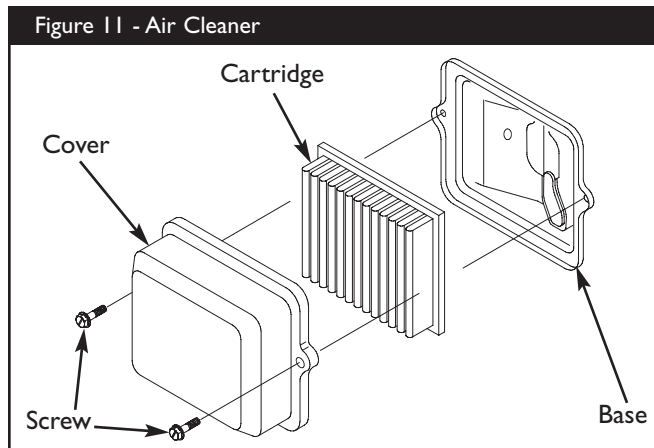
Service Air Cleaner

Your engine will not run properly and may be damaged if you run it with a dirty air cleaner.

Replace the air cleaner every 25 hours of operation or once each year, whichever comes first. Replace more often if operating under dirty or dusty conditions.

To service the air cleaner, follow these steps:

1. Loosen screws and remove air cleaner cover. Remove paper filter (Figure 11).



2. Install clean (or new) air cleaner assembly inside cover. Dispose of old filter properly.
3. Assemble air cleaner cover onto base and tighten screws.

Changing Engine Oil

Change the oil after the first 5 hours of operation. Change oil every 50 hours thereafter. If you are using your generator under extremely dirty or dusty conditions, or in extremely hot weather, change the oil more often.

CAUTION

Avoid prolonged or repeated skin contact with used motor oil.

- Used motor oil has been shown to cause skin cancer in certain laboratory animals.
- Thoroughly wash exposed areas with soap and water.



KEEP OUT OF REACH OF CHILDREN. DON'T POLLUTE. CONSERVE RESOURCES. RETURN USED OIL TO COLLECTION CENTERS.

Change the oil while the engine is still warm from running, as follows:

1. Make sure unit is on a level surface.
2. Disconnect the spark plug wire from the spark plug and place the wire where it cannot contact spark plug.

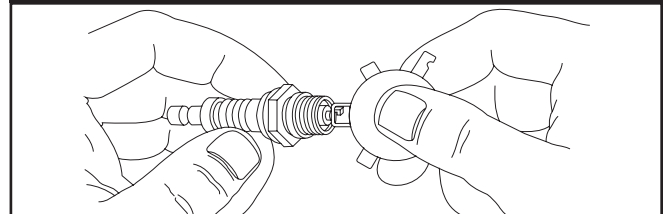
3. Clean area around oil drain plug. The oil drain plug is located at base of engine, opposite carburetor.
4. Remove oil drain plug and drain oil completely into a suitable container.
5. Reinstall oil drain plug and tighten securely. Remove oil fill cap.
6. Slowly pour oil (about 20 oz.) into oil fill opening to the point of overflowing at oil fill. **DO NOT** overfill.
7. Reinstall oil fill cap. Finger tighten cap securely.
8. Wipe up any spilled oil.

Clean/Replace Spark Plug

Change the spark plug every 100 hours of operation or once each year, whichever comes first. This will help your engine to start easier and run better.

1. Clean area around spark plug.
2. Remove and inspect spark plug.
3. Check electrode gap with wire feeler gauge and set spark plug gap to 0.030 inch (0.76mm) if necessary (Figure 12).

Figure 12 — Service Spark Plug



4. Replace spark plug if electrodes are pitted, burned or porcelain is cracked. Use a recommended replacement plug.
5. Install spark plug and tighten firmly.

Clean Spark Arrester Screen

The engine exhaust muffler has a spark arrester screen. Inspect and clean the screen every 100 hours of operation or once each year, whichever comes first.

If you use your generator on any forest-covered, brush-covered, or grass-covered unimproved land, it must have a spark arrester. The spark arrester must be maintained in good condition by the owner/operator.

MAINTENANCE

WARNING



Running engines produce heat. Temperature of muffler and nearby areas can reach or exceed 150°F (65°C).



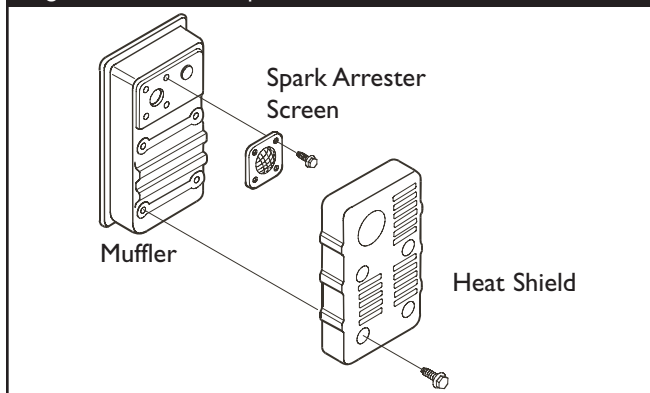
Severe burns can occur on contact. Exhaust heat/gases can ignite combustibles, structures or damage fuel tank causing a fire.

- DO NOT touch hot surfaces and avoid hot exhaust gases.
- Allow equipment to cool before touching.
- Keep at least 5 ft. (152 cm) clearance on all sides of generator including overhead.
- Code of Federal Regulation (CFR) Title 36 Parks, Forests, and Public Property require equipment powered by an internal combustion engine to have a spark arrester, maintained in effective working order, complying to USDA Forest service standard 5100-1C or later revision. In the State of California a spark arrester is required under section 4442 of the California Public Resources Code. Other states may have similar laws.

Clean and inspect the spark arrester as follows:

1. To remove muffler heat shield from muffler, remove four screws that connect guard to muffler bracket (Figure 13).

Figure 13 — Service Spark Arrester

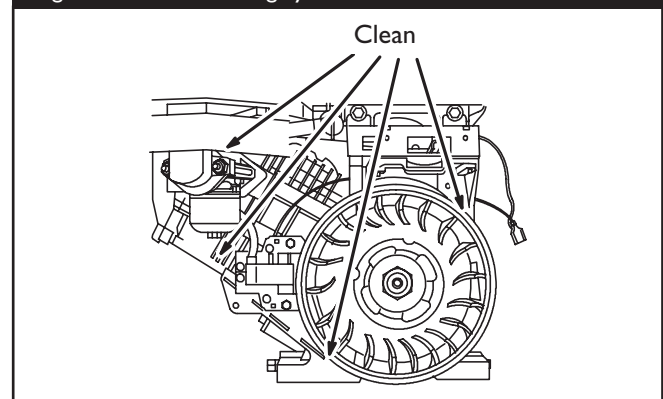


2. Remove four screws that attach spark arrester screen.
3. Inspect screen and replace if torn, perforated or otherwise damaged. DO NOT use a defective screen. If screen is not damaged, clean it with commercial solvent.
4. Reattach screen and muffler guard.

Air Cooling System

Over time debris may accumulate in cylinder cooling fins and cannot be observed without partial engine disassembly. For this reason, we recommend you have an authorized service dealer clean the cooling system (Figure 14) per recommended intervals (see “Maintenance Schedule” on page 13). Equally important is to keep top of engine free from debris. See “Generator Cleaning”.

Figure 14 — Air Cooling System



Carburetor Adjustment

The carburetor on this engine is low emission. It is equipped with a non-adjustable idle mixture valve and governed idle, if equipped. Governed idle and top speed have been set at the factory. If adjustment is required, see an authorized service dealer.

CAUTION

Excessively high operating speeds increase risk of injury and damage to generator.

Excessively low speeds impose a heavy load.




- DO NOT tamper with governed speed. Generator supplies correct rated frequency and voltage when running at governed speed.
- DO NOT modify generator in any way.

STORAGE

The generator should be started at least once every seven days and allowed to run at least 30 minutes. If this cannot be done and you must store the unit for more than 30 days, use the following information as a guide to prepare it for storage.

Long Term Storage Instructions

It is important to prevent gum deposits from forming in essential fuel system parts, such as the carburetor, fuel filter, fuel hose or tank during storage. Also, experience indicates that alcohol-blended fuels (called gasohol, ethanol or methanol) can attract moisture, which leads to separation and formation of acids during storage. Acidic fuel can damage the fuel system of an engine while in storage.

 WARNING	
	Fuel and its vapors are extremely flammable and explosive.
	Fire or explosion can cause severe burns or death.
WHEN STORING FUEL OR EQUIPMENT WITH FUEL IN TANK	
<ul style="list-style-type: none"> • Store away from furnaces, stoves, water heaters, clothes dryers or other appliances that have pilot light or other ignition source because they can ignite fuel vapors. 	
WHEN DRAINING FUEL	
<ul style="list-style-type: none"> • Turn generator OFF and let it cool at least 2 minutes before removing fuel cap. Loosen cap slowly to relieve pressure in tank. • Drain fuel tank outdoors. • Keep fuel away from sparks, open flames, pilot lights, heat, and other ignition sources. • DO NOT light a cigarette or smoke. 	

Protect Fuel System

Fuel Stabilizer:

Follow these instructions if storing fuel more than 30 days.

To protect the fuel system from gum formation, use Briggs & Stratton FRESH START™ fuel stabilizer plus, or FRESH START™ continuous fuel preserver (concentrated liquid cartridge), or FRESH START™ preservative & stabilizer (granular).

If fuel stabilizer is used, you do not need to drain fuel prior to storage. If the FRESH START™ continuous fuel preserver (concentrated liquid cartridge) is used, there is no need to drain fuel prior to storage as long as the cartridge contains stabilizer for the storage season.




- Run engine outdoors for several minutes to be sure treated fuel has replaced untreated fuel in carburetor. If fuel preserver is not used, then always remove all fuel from tank and run engine until it stops from lack of fuel.

Change Oil

While engine is still warm, drain oil from crankcase. Refill with recommended grade.

Oil Cylinder Bore

- Remove spark plug and pour about 1/2 ounce (15 ml) of clean engine oil into the cylinder.
- Install spark plug and pull recoil starter handle slowly to distribute oil.



 WARNING	
	Unintentional sparking can result in fire or electric shock.
	
<ul style="list-style-type: none"> • NEVER crank engine with spark plug removed. 	

Generator

1. Clean generator as outlined in “Generator Cleaning”.
2. Check that cooling air slots and openings on generator are open and unobstructed.

Other Storage Tips

1. DO NOT store fuel from one season to another unless it has been treated as described in “Protect Fuel System”.
2. Replace fuel can if it starts to rust. Contaminated fuel will cause engine problems.
3. If possible, store unit indoors and cover it to give protection from dust and dirt. **BE SURE TO EMPTY FUEL TANK.**
4. Cover unit with a suitable protective cover that does not retain moisture.

 WARNING	
	Storage covers can be flammable.
<ul style="list-style-type: none"> • DO NOT place a storage cover over a hot generator. • Let equipment cool for a sufficient time before placing the cover on the equipment. 	

5. Store generator in clean, dry area.

TROUBLESHOOTING

TROUBLESHOOTING

Problem	Cause	Correction
Engine is running, but no AC output is available.	<ol style="list-style-type: none"> 1. One of the circuit breakers is open. 2. Fault in generator. 3. Poor connection or defective cord set. 4. Connected device is bad. 	<ol style="list-style-type: none"> 1. Reset circuit breaker. 2. Contact authorized service facility. 3. Check and repair. 4. Connect another device that is in good condition.
Engine runs good at no-load but "bogs down" when loads are connected.	<ol style="list-style-type: none"> 1. Short circuit in a connected load. 2. Engine speed is too slow. 3. Generator is overloaded. 4. Shorted generator circuit. 	<ol style="list-style-type: none"> 1. Disconnect shorted electrical load. 2. Contact authorized service facility. 3. See "Don't Overload Generator". 4. Contact authorized service facility.
Engine will not start; or starts and runs rough.	<ol style="list-style-type: none"> 1. Engine switch set to "Off". 2. Fuel Valve is in "Off" position. 3. Dirty air cleaner. 4. Out of fuel. 5. Stale fuel. 6. Spark plug wire not connected to spark plug. 7. Bad spark plug. 8. Water in fuel. 9. Flooded. 10. Excessively rich fuel mixture. 11. Intake valve stuck open or closed. 12. Engine has lost compression. 	<ol style="list-style-type: none"> 1. Set switch to "On". 2. Turn fuel valve to "Open" position. 3. Clean or replace air cleaner. 4. Fill fuel tank. 5. Drain fuel tank and carburetor; fill with fresh fuel. 6. Connect wire to spark plug. 7. Replace spark plug. 8. Drain gas tank and carburetor; fill with fresh fuel. 9. Wait 5 minutes and re-crank engine. 10. Contact authorized service facility. 11. Contact authorized service facility. 12. Contact authorized service facility.
Engine shuts down when running.	Out of fuel.	Fill fuel tank.
Engine lacks power.	<ol style="list-style-type: none"> 1. Load is too high. 2. Dirty air filter. 	<ol style="list-style-type: none"> 1. See "Don't Overload Generator". 2. Replace air filter.
Engine "hunts" or falters.	Carburetor is running too rich or too lean.	Contact authorized service facility.

NOTES

EMISSIONS CONTROL SYSTEM WARRANTY

**Briggs & Stratton Corporation (B&S), the California Air Resources Board (CARB)
and the United States Environmental Protection Agency (U.S. EPA)**

Emissions Control System Warranty Statement (Owner's Defect Warranty Rights and Obligations)

California, United States and Canada Emissions Control Defects Warranty Statement

The California Air Resources Board (CARB), U.S. EPA and B&S are pleased to explain the Emissions Control System Warranty on your small off-road engine (SORE). In California, new small off-road engines model year 2006 and later must be designed, built and equipped to meet the State's stringent anti-smog standards. Elsewhere in the United States, new non-road, spark-ignition engines certified for model year 1997 and later must meet similar standards set forth by the U.S. EPA. B&S must warrant the emissions control system on your engine for the periods of time listed below, provided there has been no abuse, neglect or improper maintenance of your small off-road engine.

Your emissions control system includes parts such as the carburetor, air cleaner, ignition system, fuel line, muffler and catalytic converter. Also included may be connectors and other emissions related assemblies.

Where a warrantable condition exists, B&S will repair your small off-road engine at no cost to you including diagnosis, parts and labor.

Briggs & Stratton Emissions Control Defects Warranty Coverage

Small off-road engines are warranted relative to emissions control parts defects for a period of two years, subject to provisions set forth below. If any covered part on your engine is defective, the part will be repaired or replaced by B&S.

Owner's Warranty Responsibilities

As the small off-road engine owner, you are responsible for the performance of the required maintenance listed in your Operating and Maintenance Instructions. B&S recommends that you retain all your receipts covering maintenance on your small off-road engine, but B&S cannot deny warranty solely for the lack of receipts or for your failure to ensure the performance of all scheduled maintenance.

As the small off-road engine owner, you should however be aware that B&S may deny you warranty coverage if your small off-road engine or a part has failed due to abuse, neglect, improper maintenance or unapproved modifications.

You are responsible for presenting your small off-road engine to an Authorized B&S Service Dealer as soon as a problem exists. The undisputed warranty repairs should be completed in a reasonable amount of time, not to exceed 30 days.

If you have any questions regarding your warranty rights and responsibilities, you should contact a B&S Service Representative at 1-414-259-5262.

The emissions warranty is a defects warranty. Defects are judged on normal engine performance. The warranty is not related to an in-use emissions test.

Briggs & Stratton Emissions Control Defects Warranty Provisions

The following are specific provisions relative to your Emissions Control Defects Warranty Coverage. It is in addition to the B&S engine warranty for non-regulated engines found in the Owner's Manual.

I. Warranted Parts

Coverage under this warranty extends only to the parts listed below (the emissions control systems parts) to the extent these parts were present on the engine purchased.

- a. Fuel Metering System
 - Cold start enrichment system (soft choke)
 - Carburetor and internal parts
 - Fuel Pump
 - Fuel line, fuel line fittings, clamps
- b. Air Induction System
 - Air cleaner
 - Intake manifold
- c. Ignition System
 - Spark plug(s)
 - Magneto ignition system
- d. Catalyst System
 - Catalytic converter
 - Exhaust manifold
 - Air injection system or pulse valve
- e. Miscellaneous Items Used in Above Systems
 - Vacuum, temperature, position, time sensitive valves and switches
 - Connectors and assemblies

2. Length of Coverage

B&S warrants to the initial owner and each subsequent purchaser that the Warranted Parts shall be free from defects in materials and workmanship which caused the failure of the Warranted Parts for a period of two years from the date the engine is delivered to a retail purchaser.

3. No Charge

Repair or replacement of any Warranted Part will be performed at no charge to the owner, including diagnostic labor which leads to the determination that a Warranted Part is defective, if the diagnostic work is performed at an Authorized B&S Service Dealer. For emissions warranty service contact your nearest Authorized B&S Service Dealer as listed in the "Yellow Pages" under "Engines, Gasoline," "Gasoline Engines," "Lawn Mowers," or similar category.

4. Claims and Coverage Exclusions

Warranty claims shall be filed in accordance with the provisions of the B&S Engine Warranty Policy. Warranty coverage shall be excluded for failures of Warranted Parts which are not original B&S parts or because of abuse, neglect or improper maintenance as set forth in the B&S Engine Warranty Policy. B&S is not liable to cover failures of Warranted Parts caused by the use of add-on, non-original, or modified parts.

5. Maintenance

Any Warranted Part which is not scheduled for replacement as required maintenance or which is scheduled only for regular inspection to the effect of "repair or replace as necessary" shall be warranted as to defects for the warranty period. Any Warranted Part which is scheduled for replacement as required maintenance shall be warranted as to defects only for the period of time up to the first scheduled replacement for that part. Any replacement part that is equivalent in performance and durability may be used in the performance of any maintenance or repairs. The owner is responsible for the performance of all required maintenance, as defined in the B&S Owner's Manual.

6. Consequential Coverage

Coverage hereunder shall extend to the failure of any engine components caused by the failure of any Warranted Part still under warranty.

Emissions Durability Period and Air Index Information On Your Engine Emissions Label

Engines that are certified to meet the California Air Resources Board (CARB) Tier 2 Emission Standards must display information regarding the Emissions Durability Period and Air Index. The engine manufacturer makes this information available to the consumer on emission labels.

The **Emissions Durability Period** describes the number of hours of actual running time for which the engine is certified to be emissions compliant, assuming proper maintenance in accordance with the Operating & Maintenance Instructions. The following categories are used:

Moderate: Engine is certified to be emission compliant for 125 hours of actual engine running time.

Intermediate: Engine is certified to be emission compliant for 250 hours of actual engine running time.

Extended: Engine is certified to be emission compliant for 500 hours of actual engine running time.

For example, a typical walk-behind lawn mower is used 20 to 25 hours per year. Therefore, the **Emissions Durability Period** of an engine with an **intermediate** rating would equate to 10 to 12 years.

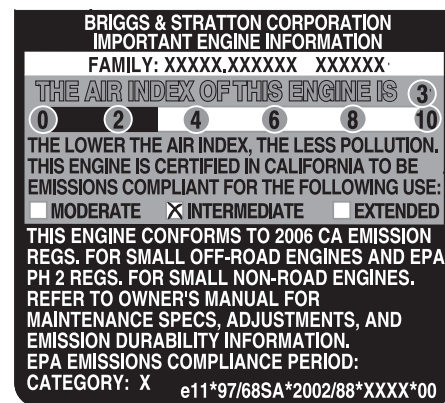
The **Air Index** is a calculated number describing the relative level of emissions for a specific engine family. The lower the **Air Index**, the cleaner the engine. This information is displayed in graphical form on the emissions label.

Emissions Compliance Period On Engine Emissions Compliance Label

After July 1, 2000 certain Briggs & Stratton engines will be certified to meet the United States Environmental Protection Agency (USEPA) Phase 2 emission standards. For phase 2 certified engines, the Emissions Compliance Period referred to on the Emissions Compliance label indicates the number of operating hours for which the engine has been shown to meet Federal emission requirements. For engines less than 225 cc displacement, Category C = 125 hours, B = 250 hours and A = 500 hours. For engines of 225 cc or more, Category C = 250 hours, B = 500 hours and A = 1000 hours.

This engine has an intermediate rating with an Air Index of 3. The EPA Emissions compliance period is Category C. The displacement of these engines is 249 cc.

Below is a generic representation of the emission label typically found on a certified engine.



NOTES

BRIGGS & STRATTON POWER PRODUCTS GROUP, LLC PORTABLE GENERATOR OWNER WARRANTY POLICY

Effective February 1, 2006 replaces all undated Warranties and all Warranties dated before February 1, 2006

LIMITED WARRANTY

Briggs & Stratton Power Products Group, LLC will repair or replace, free of charge, any part(s) of the portable generator that is defective in material or workmanship or both. Transportation charges on product submitted for repair or replacement under this warranty must be borne by purchaser. This warranty is effective for the time periods and subject to the conditions stated below. For warranty service, find the nearest Authorized Service Dealer in our dealer locator map at www.briggspowerproducts.com.

THERE IS NO OTHER EXPRESS WARRANTY. IMPLIED WARRANTIES, INCLUDING THOSE OF MERCHANTABILITY AND FITNESS FOR A PARTICULAR PURPOSE, ARE LIMITED TO ONE YEAR FROM PURCHASE, OR TO THE EXTENT PERMITTED BY LAW ANY AND ALL IMPLIED WARRANTIES ARE EXCLUDED. LIABILITY FOR INCIDENTAL OR CONSEQUENTIAL DAMAGES ARE EXCLUDED TO THE EXTENT EXCLUSION IS PERMITTED BY LAW. Some states or countries do not allow limitations on how long an implied warranty lasts, and some states or countries do not allow the exclusion or limitation of incidental or consequential damages, so the above limitation and exclusion may not apply to you. This warranty gives you specific legal rights and you may also have other rights which vary from state to state or country to country.

WARRANTY PERIOD

Consumer Use	2 years*
Commercial Use	1 year

*Second year parts only

The warranty period begins on the date of purchase by the first retail end user, and continues for the period of time stated above. "Consumer Use" means personal residential household use by a retail consumer. "Commercial Use" means all other uses, including use for commercial, income producing or rental purposes. Once equipment has experienced commercial use, it shall thereafter be considered as commercial use for purposes of this warranty.

NO WARRANTY REGISTRATION IS NECESSARY TO OBTAIN WARRANTY ON BRIGGS & STRATTON PRODUCTS. SAVE YOUR PROOF OF PURCHASE RECEIPT. IF YOU DO NOT PROVIDE PROOF OF THE INITIAL PURCHASE DATE AT THE TIME WARRANTY SERVICE IS REQUESTED, THE MANUFACTURING DATE OF THE PRODUCT WILL BE USED TO DETERMINE THE WARRANTY PERIOD.

ABOUT YOUR WARRANTY

We welcome warranty repair and apologize to you for being inconvenienced. Any Authorized Service Dealer may perform warranty repairs. Most warranty repairs are handled routinely, but sometimes requests for warranty service may not be appropriate. For example, warranty service would not apply if equipment damage occurred because of misuse, lack of routine maintenance, shipping, handling, warehousing or improper installation. Similarly, the warranty is void if the manufacturing date or the serial number on the portable generator has been removed or the equipment has been altered or modified. During the warranty period, the Authorized Service Dealer, at its option, will repair or replace any part that, upon examination, is found to be defective under normal use and service. This warranty will not cover the following repairs and equipment:

- **Normal Wear:** Outdoor Power Equipment, like all mechanical devices, needs periodic parts and service to perform well. This warranty does not cover repair when normal use has exhausted the life of a part or the equipment.
- **Installation and Maintenance:** This warranty does not apply to equipment or parts that have been subjected to improper or unauthorized installation or alteration and modification, misuse, negligence, accident, overloading, overspeeding, improper maintenance, repair or storage so as, in our judgment, to adversely affect its performance and reliability. This warranty also does not cover normal maintenance such as air filters, adjustments, fuel system cleaning and obstruction (due to chemical, dirt, carbon, lime, and so forth).
- **Other Exclusions:** This warranty excludes wear items such as o-rings, filters, etc., or malfunctions resulting from accidents, abuse, modifications, alterations, or improper servicing or freezing or chemical deterioration. Accessory parts such as generator adapter cord sets and storage covers are excluded from the product warranty. This warranty excludes used, reconditioned, and demonstration equipment, equipment used for prime power in place of utility power, equipment used in life support applications, and failures due to acts of God and other force majeure events beyond the manufacturers control.


BRIGGS & STRATTON POWER PRODUCTS GROUP, LLC
JEFFERSON, WI, USA

CONSERVE ESTAS INSTRUCCIONES

TABLA DE CONTENIDOS

Reglas De Seguridad	24-26
Conozca Su Generador	27
Montaje	28-29
Operación	30-34
Especificaciones	35
Mantenimiento.	36-39
Almacenamiento.	40
Diagnosticos De Averías.	41
Garantía de Control de Emisiones.	42-43
Garantía	44

DESCRIPCIÓN DEL EQUIPO

 **Lea este manual de manera cuidadosa y familiarícese con su generador. Conozca sus usos, sus limitaciones y cualquier peligro relacionado con el mismo.**


Este generador funciona en base a un motor, de campo eléctrico giratorio y de corriente alterna (AC). Fue diseñado con la finalidad de proveer energía eléctrica para luces eléctricas, aparatos, herramientas compatibles y cargas de motor. El campo giratorio del generador funciona a una velocidad de 3,6000 rpm usando un motor con un solo cilindro.


¡PRECAUCIÓN! NO sobrepase la capacidad de vataje y amperaje del generador. Revise "No Sobrecargue Generador".

Se ha hecho cada esfuerzo posible para asegurarse que la información que aparece en este manual es exacta y se encuentra actualizada. Sin embargo, nosotros se reserva el derecho a cambiar, alterar o de otra manera mejorar, el producto y este documento en cualquier momento, sin previo aviso.


El Sistema de Control de Emisiones para este generador está garantizado para juegos estándares por la Agencia de Protección Ambiental y el Consejo de recursos de aire de California.

REGLAS DE SEGURIDAD

 **Éste es el símbolo de alerta de seguridad. Sirve para advertir al usuario de un posible riesgo para su integridad física. Siga todos los mensajes de seguridad que figuren después de este símbolo para evitar lesiones o incluso la muerte.**

El símbolo de alerta de seguridad () es usado con una palabra (PELIGRO, ADVERTENCIA, PRECAUCIÓN), un mensaje por escrito o una ilustración, para alertarlo acerca de cualquier situación de peligro que pueda existir. **PELIGRO** indica un riesgo el cual, si no se evita, *causará* la muerte o una herida grave.

ADVERTENCIA indica un riesgo el cual, si no se evita, *puede* causar la muerte o una herida grave. **PRECAUCIÓN** indica un riesgo, el cual, si no se evita, *puede* causar heridas menores o moderadas. **PRECAUCIÓN**, cuando se usa **sin** el símbolo de alerta, indica una situación que podría resultar en el daño del equipo. Siga los mensajes de seguridad para evitar o reducir los riesgos de heridas e inclusive la muerte.

 ADVERTENCIA
El escape del motor de este producto contiene elementos químicos reconocidos en el Estado de California por producir cáncer, defectos de nacimiento u otros daños de tipo reproductivo.

Símbolos de Peligro y Significados

		
Manual del Operario	Descarga Eléctrica	
		
Explosión	Fuego	Objets volant
		
Gases Tóxicos	Retroceso	Superficie Caliente

REGLAS DE SEGURIDAD

ADVERTENCIA



Al generador funcionar, se produce monóxido de carbono, un gas inodoro y venenoso.

El respirar el monóxido de carbono, producirá náusea, desmayo o la muerte.

- Opere el generador SOLAMENTE al aire libre.
- Asegúrese de que los gases de escape no puedan entrar por ventanas, puertas, tomas de aire de ventilación u otras aberturas en un espacio cerrado en el que puedan acumularse.
- NO opere el generador dentro de un edificio o lugar cerrado (aunque haya puertas o ventanas abiertas), incluyendo el compartimiento del generador en un vehículo recreativo o RV.

ADVERTENCIA



Los generadores producen un voltaje muy poderoso.

Si no aísla el generador de utilidades de energía, puede hacer que los trabajadores de electricidad sufran heridas graves e inclusive la muerte, debido a la retroalimentación de la energía eléctrica.

- Cuando use un generador como poder de energía auxiliar, notifique a la compañía de utilidades. Use el equipo de transferencia aprobado para aislar el generador de otra utilidad eléctrica.
- Use un interruptor para la falla del circuito de tierra (GFCI) en cualquier área bastante húmeda o que sea altamente conductiva, tales como terrazas de metal o trabajo hecho con acero.
- NO toque los alambres pelados o receptáculos.
- NO use un generador con cables eléctricos que estén malgastados, rotos, pelados o dañados de cualquier forma.
- NO opere el generador bajo la lluvia.
- NO maneje el generador o cables eléctricos mientras esté parado en agua, descalzo o cuando las manos y los pies estén mojados.
- NO permita que personas descalificadas o niños operen o sirvan al generador.

ADVERTENCIA



El rápido repliegue del cable del arrancador (retroceso) impedirá que el usuario suelte el cable a tiempo y tirará de su mano y brazo hacia el motor.

Como resultado, podrían producirse fracturas, contusiones o esguinces.

- Cuando arranque el motor, tire lentamente del cable hasta sentir una resistencia y, a continuación, tire rápidamente de él para evitar su retroceso.
- NUNCA arranque o pare el motor cuando haya aparatos eléctricos conectados y en funcionamiento.

ADVERTENCIA



La combustible y sus vapores son extremadamente inflamables y explosivos.



El fuego o una explosión pueden causar quemaduras severas e inclusive la muerte.

CUANDO AÑADA COMBUSTIBLE O VACÍE EL DEPÓSITO

- Apague el generador (posición OFF) y déjelo enfriar al menos por 2 minutos antes de remover la tapa de la combustible. Afloje la tapa lentamente para dejar que la presión salga del tanque.
- Llene o vacíe el depósito de combustible a la intemperie.
- NO llene demasiado el tanque. Permita al menos espacio para la expansión del combustible.
- Si se ha derramado combustible, espere a que se evapore antes de arrancar el motor.
- Mantenga la combustible alejada de chispas, llamas abiertas, pilotos, calor y otras fuentes de ignición.
- NO encienda un cigarrillo o fume.

CUANDO PONGA EN FUNCIONAMIENTO EL EQUIPO

- Compruebe que la bujía, el silenciador, el tapón del depósito de combustible y el filtro de aire están instalados.
- NO arranque el motor sin la bujía instalada.

CUANDO OPERE EL EQUIPO

- NO incline el motor o el equipo, de tal manera que la combustible se pueda derramar.
- Este generador no es apto para el uso en equipos móviles ni en aplicaciones marinas.

CUANDO TRANSPORTE O REPARE EL EQUIPO

- Transporte o repare el equipo con el tanque de combustible vacío, o con la válvula para apagar el combustible, apagada (posición OFF).
- Desconecte el cable de la bujía.

CUANDO ALMACENE O GUARDE EL EQUIPO CON COMBUSTIBLE EN EL TANQUE

- Almacene alejado de calderas, estufas, calentadores de agua, secadoras de ropa u otros aparatos electrodomésticos que posean pilotos u otras fuentes de ignición, porque ellos pueden encender los vapores de la combustible.

ADVERTENCIA

- Este generador no cumple la norma 33CFR-183 del cuerpo de guardacostas de EE.UU. y no debe utilizarse en aplicaciones marinas.
- El uso de un generador no homologado por cuerpo de guardacostas de EE.UU. puede provocar lesiones y daños materiales.

REGLAS DE SEGURIDAD

ADVERTENCIA



Chispear involuntario puede tener como resultado el fuego o el golpe eléctrico.



CUANDO AJUSTE O HAGA REPARACIONES A SU GENERADOR

- Siempre desconecte el alambre de la bujía y colóquelo donde no pueda entrar en contacto con la bujía.

CUANDO PRUEBE LA BUJÍA DEL MOTOR

- Utilice un comprobador de bujías homologado.
- NO compruebe la chispa sin la bujía instalada.

ADVERTENCIA



Los motores al funcionar producen calor. La temperatura del silenciador y de las áreas cercanas puede alcanzar o pasar los 150°F (65°C).

Quemaduras severas pueden ocurrir al hacer contacto.



Los gases y el calor de escape pueden inflamar los materiales combustibles y las estructuras o dañar el depósito de combustible y provocar un incendio.

- NO toque las superficies calientes y evite los gases del escape a alta temperatura.
- Permita que el equipo se enfríe antes de tocarlo.
- Deje un espacio mínimo de 152 cm (5 pies) alrededor del generador, incluida la parte superior.
- El Código de Normativa Federal (CFR, Título 36: Parques, Bosques y Propiedad Pública) obliga a instalar una pantalla apagachispas en los equipos con motor de combustión interno y a mantenerla en buenas condiciones de funcionamiento, conforme a la norma 5100-1C (o posterior) del Servicio Forestal de la USDA. En el Estado de California, la ley exige el uso de una pantalla apagachispas (Sección 4442 del Código de Recursos Públicos de California). En otros estados puede haber leyes similares en vigor.

PRECAUCIÓN

Las velocidades de operación en exceso, aumentan los riesgos de heridas y daños al generador.

Las velocidades bajas en exceso, imponen una carga muy pesada.

- NO cambie ninguna velocidad determinada. El generador suministra una frecuencia y un voltaje calificado cuando funciona a una velocidad determinada.
- NO modifique al generador en ninguna forma.

PRECAUCIÓN

El sobrepasar la capacidad del amperaje y vataje del generador, puede dañar al generador y los aparatos eléctricos conectados al mismo.

- Vea "No sobrecargue generador".
- Encienda su generador y deje que el motor se estabilice antes de conectar las cargas eléctricas.
- Conecte las cargas eléctricas en la posición de apagado (OFF), luego encienda (ON) para su operación.
- Apague (OFF) las cargas eléctricas y desconéctelas del generador antes de parar el generador.

PRECAUCIÓN

El tratamiento inadecuado del generador puede dañarlo y acortar su vida productiva.

- Use el generador solamente con la finalidad para el cual fue diseñado.
- Si usted tiene alguna pregunta acerca de las finalidades de uso del generador, pregúntele a su concesionario o llamada a 1-800-743-4115.
- Opere el generador solamente en superficies niveladas.
- NO exponga al generador a una humedad excesiva, polvo, suciedad o vapores corrosivos.
- NO inserte cualquier objeto a través de las ranuras de enfriamiento.
- Si los aparatos conectados se sobrecalientan, apáguelos y desconéctelos del generador.
- Apague el generador si:
 - Se pierde la salida eléctrica;
 - El equipo produce chispas, humo o emite llamas;
 - La unidad vibra de una manera excesiva.

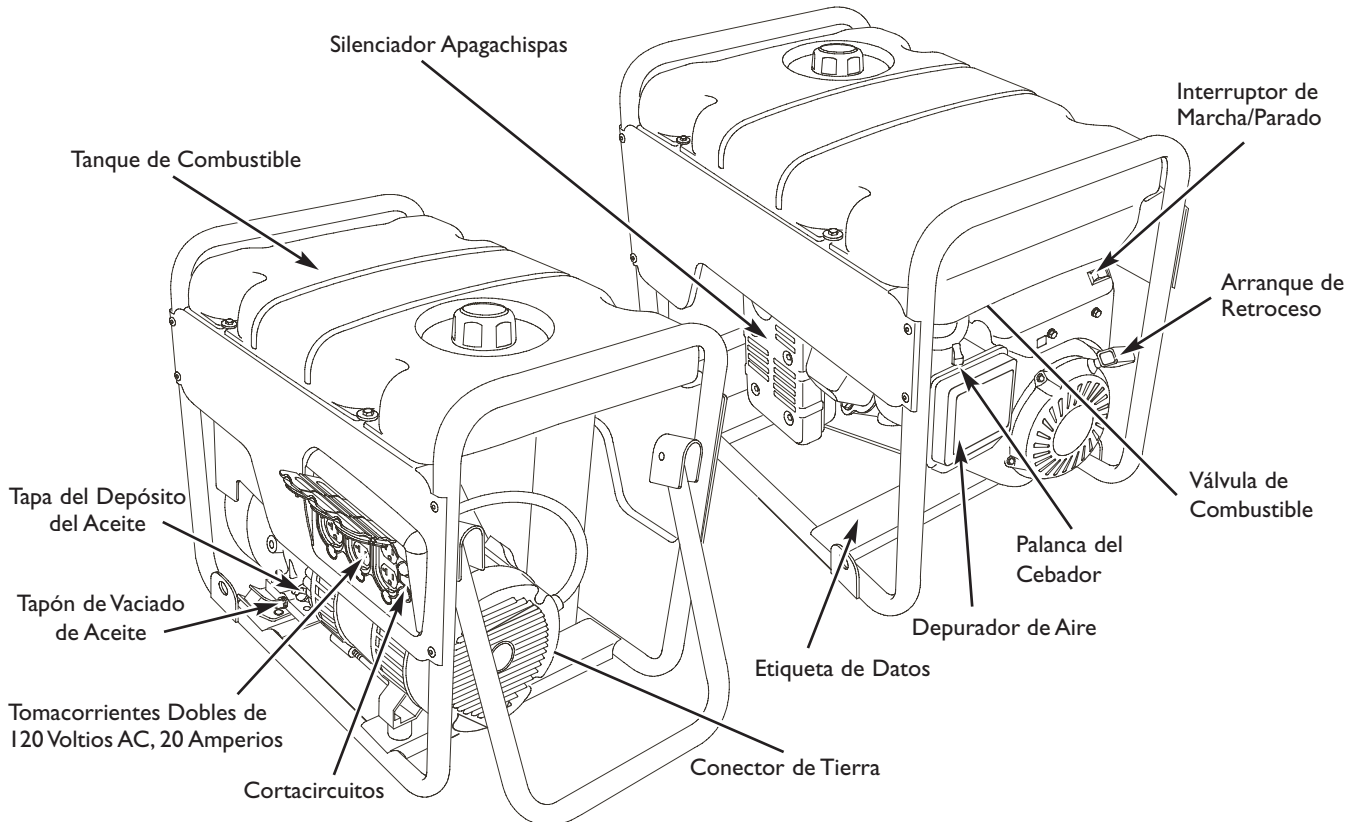
CONOZCA SU GENERADOR

CONOZCA SU GENERADOR



Lea este manual del operario y las reglas de seguridad antes de operar su generador.

Compare las ilustraciones con su Generador para familiarizarse con las ubicaciones de los diferentes controles y ajustes. Conserve este manual para referencias futuras.



Conector de Tierra — Consulte con el organismo responsable de la normativa vigente de conexión a tierra.

Cortacircuitos (AC) — Cada tomacorriente posee un cortacircuito para proteger el generador contra sobrecargas eléctricas. Los cortacircuitos son del tipo “oprimir para reposicionar”.

Culatazo el Principio — Usó para comenzar motor.

Depurador de Aire — Filtra el aire de entrada a medida que penetra en el motor.

Etiqueta de Datos — Proporciona el modelo, revisión y el número de serie de generador. Tenga por favor estos prontamente disponible cuándo llamar para la ayuda.

Interruptor Balancín — Deberá estar en la posición “On” (En) para darle arranque al motor. Colóquelo en la posición “Off” (Apagado) para detener un motor en funcionamiento.

Palanca del Cebador — Usada cuando se está dando arranque a un motor frío.

Silenciador Apagachispas — El silenciador disminuye el ruido del motor y está equipado con una pantalla apagachispas.

Tapa del Depósito del Aceite — Llene el motor con aceite aquí.

Tapón de Vaciado de Aceite — Retírelo para vaciar el aceite del motor.

Tanque del Combustible — El tanque tiene una capacidad de 4 galones americanos (15 l) de gasolina sin contenido de plomo.

Tomacorriente Dobles de 120 Voltios AC, 20 Amp — Pueden ser utilizados para suministrar alimentación eléctrica para el funcionamiento de cargas del motor, herramientas, aparatos especiales e iluminación eléctrica de 120 Voltios AC a 20 Amperios, monofásica de 60 Hz.

Válvula de Combustible — Permite abrir y cerrar la alimentación de combustible al motor.

MONTAJE

MONTAJE

Su generador requiere de ciertos procedimientos de montaje y solo estará listo para ser utilizado después de haberle suministrado servicio con el combustible y aceite recomendados.

Si usted tiene problemas con el montaje de su generador, por favor llame a la línea de ayuda para generadores al **1-800-743-4115**. Si llamar para la ayuda, tiene por favor el modelo, la revisión y el número de serie de etiqueta de datos disponible. Consulte la ubicación en la sección “Conozca su Generador”.

Desembalaje del Generador

1. Coloque la caja de cartón en una superficie rígida y plana.
2. Abra completamente la caja de cartón cortando cada una de sus esquinas de arriba abajo.
3. Saque todo el contenido de la caja de cartón, a excepción del generador.
4. Mantenga el generador sobre el cartón para instalar el juego de ruedas.

Instale el Juego de Ruedas


NOTA: Este Juego de Ruedas no ha sido diseñado para ser usado en la carretera.

Necesitará las siguientes herramientas para instalar estos componentes:

- Llave de 13 mm
- Llave de cubo de 13 mm
- Alicates
- Gafas de seguridad

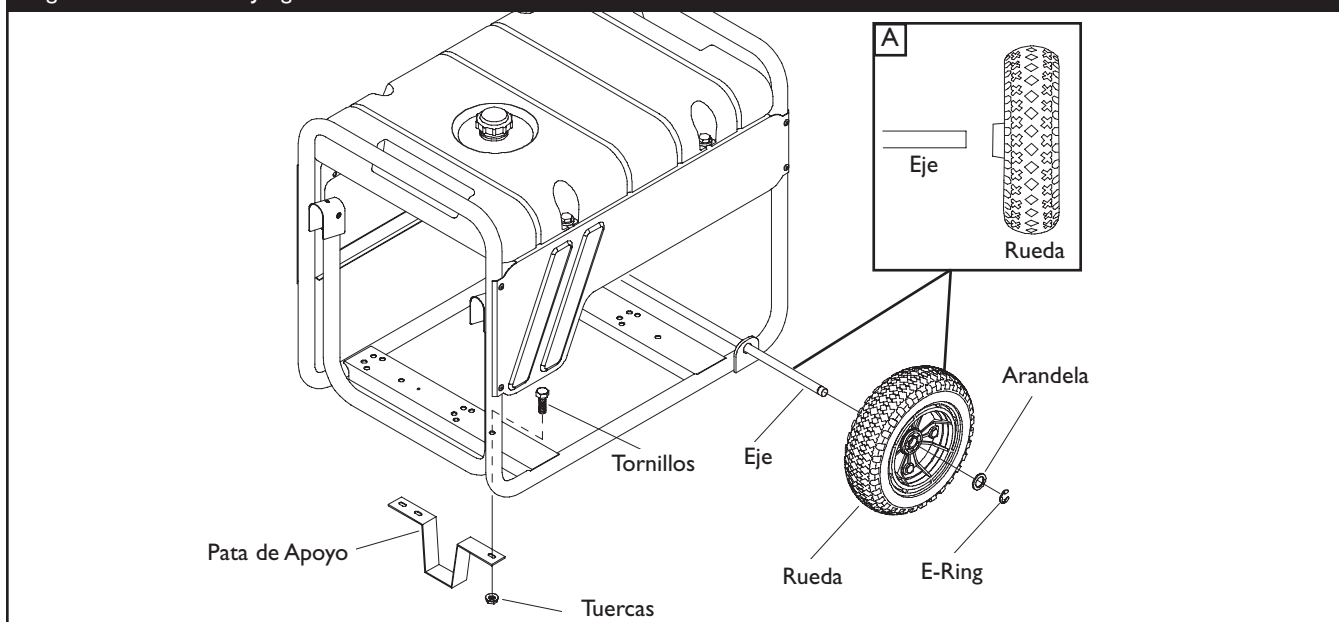
Consulte la **Figura 15** e instale el juego de ruedas conforme a las instrucciones siguientes:

1. Doble la vuelta al generador de forma que el motor quede arriba.
2. Introduzca el eje a través de los dos soportes de montaje.
3. Coloque una rueda en cada extremo, cuando mostrado en la Figura 15A.
4. Introduzca una arandela por el eje y coloque una anilla en “e” en la ranura del eje.

PRECAUCIÓN	
	Las anillas en “e” pueden provocar lesiones oculares. Las anillas en “e” pueden salir disparadas durante el montaje o el desmontaje.
• Utilice siempre protección ocular para montar o desmontar anillas en “e”.	

5. Para ello, apriete con unos alicates desde la parte superior de la anilla en “e” hacia la parte inferior del eje.
6. Repita los pasos del 3 al 5 para asegurar la segunda rueda.
7. Doble la vuelta al generador de forma que el lado del motor quede abajo.
8. Haga coincidir los orificios de la pata de apoyo con los del bastidor del generador.
9. Monte la pata de apoyo con dos tornillos de cabeza cortos (M8 x 16 mm) y dos tuercas hexagonales. Apriete con una llave de cubo de 1/2" ó 13 mm.
10. Vuelva a colocar el generador en la posición normal de funcionamiento (apoyado en las ruedas y la pata de apoyo).

Figura 15 — Instale el Juego de Ruedas



ANTES DE DARLE ARRANQUE AL MOTOR

Agregar Aceite al Motor

¡PRECAUCIÓN! Si intenta arrancar el motor antes de llenarlo con el aceite recomendado, puede provocar una avería.

1. Coloque la generador en una superficie plana y nivelada.
2. Limpie la zona de alrededor del orificio de llenado de aceite y quite el tapón amarillo.

NOTA: Consulte la sección "Aceite", en la página 37, para ver las recomendaciones relativas al aceite. Compruebe que la botella de aceite suministrada tiene la viscosidad adecuada para la temperatura ambiente actual.

3. Con la ayuda de un embudo (opcional), vierta lentamente todo el contenido de la botella de aceite por el orificio de llenado de aceite.
4. Vuelva a colocar el tapón y apriételo firmemente.

Agregue Combustible

No todos los combustibles son iguales. Si detecta un problema de arranque o de rendimiento inmediatamente después de utilizar un nuevo combustible, pruebe a cambiar de estación de servicio o de marca.

NOTA: Este motor está certificado para funcionar con gasolina. Sistema de control de emisiones de gases de escape: EM (Modificaciones del motor).



ADVERTENCIA



La combustión y sus vapores son extremadamente inflamables y explosivos.



El fuego o una explosión pueden causar quemaduras severas e inclusive la muerte.

CUANDO AÑADA COMBUSTIBLE

- Apague el generador (posición OFF) y déjelo enfriar al menos por 2 minutos antes de remover la tapa de la combustión. Afloje la tapa lentamente para dejar que la presión salga del tanque.
- Llene el depósito de combustible a la intemperie.
- NO llene demasiado el tanque. Permita al menos espacio para la expansión del combustible.
- Mantenga la combustión alejada de chispas, llamas abiertas, pilotos, calor y otras fuentes de ignición.
- NO encienda un cigarrillo o fume.

Tipo de gasolina

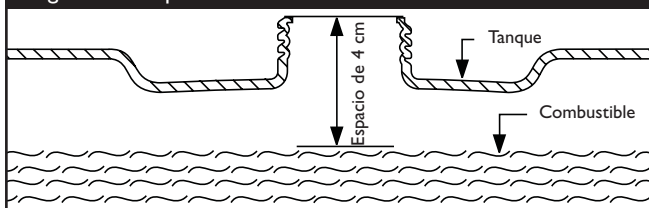
1. Utilice siempre gasolina sin plomo limpia y nueva con un máximo de 87 octanos/87 AKI (91 RON). No mezcle aceite con combustible. No modifique el circuito de combustible ni el carburador para utilizar combustibles alternativos.

NOTA: El motor admite hasta un 10% de etanol (gasohol) o hasta un 15% de MTBE (éter metil terbutílico).

IMPORTANTE: El uso de todo combustible distinto a los aprobados **anulará la garantía**. En algunas zonas, es obligatorio marcar las bombas de combustible si éste contiene alcoholes o éteres. Si no está seguro de si su combustible contiene alcohol o éter no aprobado, consulte con el operario de la estación de servicio.

2. Limpie el área alrededor de la tapa de llenado del combustible, retire la tapa.
3. Añada lentamente gasolina sin plomo al depósito de combustible. No añada combustible en exceso. Deje aproximadamente 4 cm (1,5") de espacio en el depósito para permitir la expansión del combustible, como se muestra en la Figura 16.

Figura 16 - Espacio de Combustible



4. Instale la tapa del tanque de combustible y la espere para algún combustible rociado para evaporar.

Para evitar problemas de rendimiento en el motor, vacíe el circuito de combustible o trátelo con un aditivo cuando vaya a almacenar la unidad durante 30 días o más. Para evitar la formación de residuos en el circuito de combustible, utilice el estabilizador de combustible FRESH START™, el aditivo FRESH START™ (cartucho de líquido concentrado) o el conservante estabilizador FRESH START™ (granular) de Briggs & Stratton. Si no utiliza un aditivo para el combustible, vacíe el depósito, arranque el motor y déjelo funcionar hasta que el circuito de combustible y el carburador queden vacíos. Utilice combustible nuevo la próxima temporada. Para obtener más información al respecto, consulte "Almacenamiento" en la página 40.

NUNCA utilice productos limpiadores para motores o carburadores en el depósito de combustible, ya que podrían provocar daños permanentes.

Uso en grandes altitudes

A grandes altitudes (por encima de 1.500 m [5.000 pies]), se puede utilizar combustible de 85 octanos/85 AKI (89 RON). A gran altitud, el motor puede requerir el uso de un juego de inyección de carburador de gran altitud para mejorar el rendimiento y reducir el consumo de combustible. Para obtener más información, consulte con su distribuidor autorizado Briggs & Stratton.

USO DEL GENERADOR

Tierra del Sistema

El generador dispone de una conexión a tierra del sistema que conecta los componentes del bastidor a los terminales de tierra de los enchufes hembra de salida de CA. La tierra del sistema está conectada al cable de CA neutro que, a su vez, está conectado al bastidor del generador (vea “Descripción del Equipo”).

Requisitos Especiales

Es posible que haya normas u ordenanzas locales y nacionales en materia de seguridad e higiene en el trabajo aplicables al uso del generador. Consulte con un electricista cualificado, un inspector eléctrico o el organismo competente.

- En algunas zonas, es obligatorio registrar los generadores en las compañías eléctricas locales.
- Si el generador se utiliza en una obra, puede ser necesario cumplir normas y requisitos adicionales.

Conexión al Sistema Eléctrico de un Edificio

Las conexiones a efectos de alimentación de reserva al sistema eléctrico de un edificio deben ser realizadas por un electricista cualificado. La conexión debe aislar la alimentación del generador de la alimentación de la red pública y debe cumplir todas las leyes y normas eléctricas vigentes.

ADVERTENCIA



Los generadores producen un voltaje muy poderoso. Si no aísla el generador de utilidades de energía, puede hacer que los trabajadores de electricidad sufran heridas graves e inclusive la muerte, debido a la retroalimentación de la energía eléctrica.

- Cuando use un generador como poder de energía auxiliar, notifique a la compañía de utilidades. Use el equipo de transferencia aprobado para aislar el generador de otra utilidad eléctrica.
- Use un interruptor para la falla del circuito de tierra (GFCI) en cualquier área bastante húmeda o que sea altamente conductiva, tales como terrazas de metal o trabajo hecho con acero.
- NO toque los alambres pelados o receptáculos.
- NO use un generador con cables eléctricos que estén malgastados, rotos, pelados o dañados de cualquier forma.
- NO opere el generador bajo la lluvia.
- NO maneje el generador o cables eléctricos mientras esté parado en agua, descalzo o cuando las manos y los pies estén mojados.
- NO permita que personas descalificadas o niños operen o sirvan al generador.

Ubicación del Generador

Espacio Libre Alrededor del Generador

ADVERTENCIA



Los gases y el calor de escape pueden inflamar los materiales combustibles y las estructuras o dañar el depósito de combustible y provocar un incendio.

- Deje un espacio mínimo de 152 cm (5 pies) alrededor del generador, incluida la parte superior.

Sitúe el generador en una zona bien ventilada que permita la eliminación de los gases de escape mortales. No instale el generador en lugares en los que los gases de escape se puedan acumular o entrar en un edificio que pueda estar ocupado. Asegúrese de que los gases de escape no puedan entrar por ventanas, puertas, tomas de aire de ventilación u otras aberturas en un espacio cerrado en el que puedan acumularse (Figura 17). Tenga en cuenta los vientos y las corriente de aire preponderantes cuando elija la ubicación del generador.

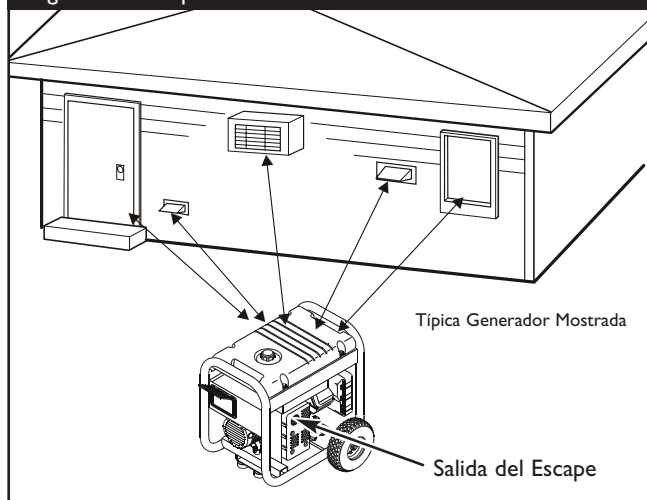
ADVERTENCIA



Al generador funcionar, se produce monóxido de carbono, un gas inodoro y venenoso. El respirar el monóxido de carbono, producirá náusea, desmayo o la muerte.

- Opere el generador SOLAMENTE al aire libre.
- Asegúrese de que los gases de escape no puedan entrar por ventanas, puertas, tomas de aire de ventilación u otras aberturas en un espacio cerrado en el que puedan acumularse.
- NO opere el generador dentro de un edificio o lugar cerrado (aunque haya puertas o ventanas abiertas), incluyendo el compartimiento del generador en un vehículo recreativo o RV.

Figura 17 — Espacio Libre Alrededor del Generador



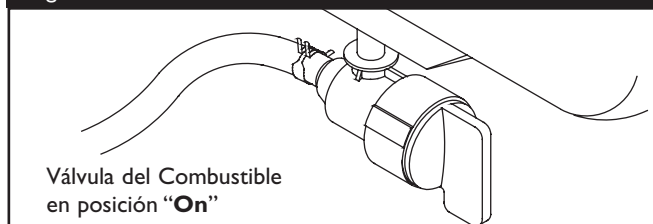
OPERANDO EL GENERADOR

Encienda el Motor

Desconecte todas las cargas eléctricas del generador. Use las siguientes instrucciones para encender:

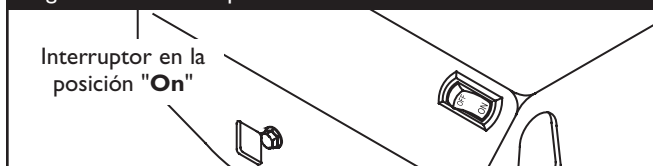
1. Asegúrese de que la unidad está en una superficie plana.
2. Gire la válvula del combustible a la posición "On" (Figura 18). El asidero de la válvula del combustible debe ser vertical (señalar hacia el suelo) para el combustible para fluir.

Figura 18 — Válvula de Combustible



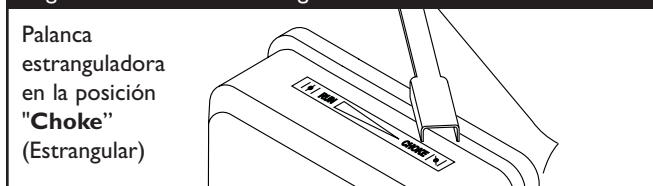
3. Sitúe el interruptor On/Off en la posición "On" (Figura 19).

Figure 19 — Interruptor On/Off



4. Mueva la palanca estranguladora hasta la posición "Choke" (Estrangular) (Figura 20).

Figure 20 — Palanca Estranguladora



5. Agarre el asa del arrancador de retroceso y tire lentamente hasta notar una ligera resistencia. A continuación, tire rápidamente del asa para vencer la compresión, evitar el retroceso y arrancar.

⚠ ADVERTENCIA



El rápido repliegue del cable del arrancador (retroceso) impedirá que el usuario suelte el cable a tiempo y tirará de su mano y brazo hacia el motor. Como resultado, podrían producirse fracturas, contusiones o esguinces.

- Cuando arranque el motor, tire lentamente del cable hasta sentir una resistencia y, a continuación, tire rápidamente de él para evitar su retroceso.
- NUNCA arranque o pare el motor cuando haya aparatos eléctricos conectados y en funcionamiento.

IMPORTANTE: Si el exceso de combustible en la mezcla de aire/combustible ahoga el motor, sitúe la palanca estranguladora en la posición "Run" (Funcionamiento) y tire del asa repetidamente hasta que el motor arranque.

6. Mueva poco a poco la palanca estranguladora hacia la posición "Run" (Funcionamiento) a intervalos de segundos (tiempo cálido) o minutos (tiempo frío). Espere a que el motor funcione suavemente antes de cada cambio. Utilice la bomba con la palanca estranguladora en la posición "Run" (Funcionamiento).

⚠ ADVERTENCIA



Los motores al funcionar producen calor. La temperatura del silenciador y de las áreas cercanas puede alcanzar o pasar los 150°F (65°C).

Quemaduras severas pueden ocurrir al hacer contacto.



Los gases y el calor de escape pueden inflamar los materiales combustibles y las estructuras o dañar el depósito de combustible y provocar un incendio.

- NO toque las superficies calientes y evite los gases del escape a alta temperatura.
- Permita que el equipo se enfríe antes de tocarlo.
- Deje un espacio mínimo de 152 cm (5 pies) alrededor del generador, incluida la parte superior.
- El Código de Normativa Federal (CFR, Título 36: Parques, Bosques y Propiedad Pública) obliga a instalar una pantalla apagachispas en los equipos con motor de combustión interno y a mantenerla en buenas condiciones de funcionamiento, conforme a la norma 5100-1C (o posterior) del Servicio Forestal de la USDA. En el Estado de California, la ley exige el uso de una pantalla apagachispas (Sección 4442 del Código de Recursos Públicos de California). En otros estados puede haber leyes similares en vigor.

OPERACIÓN

Conexión De Cargas Eléctricas

- Deje que el motor se estabilice y se caliente por unos minutos después del arranque.
- Conecte y encienda las cargas eléctricas de 120 y/o 240 Voltios AC monofásicas de 60 Hz que desee.
- NO conecte cargas de 240 Voltios a tomacorrientes de 120 Voltios.
- NO conecte cargas trifásicas al generador.
- NO conecte cargas de 50 Hz al generador.
- **NO SOBRECARGUE EL GENERADOR.** Vea "No Sobrecargue Generador".

PRECAUCIÓN

El sobrepasar la capacidad del amperaje y vataje del generador, puede dañar al generador y los aparatos eléctricos conectados al mismo.

- Vea "No sobrecargue generador".
- Encienda su generador y deje que el motor se estabilice antes de conectar las cargas eléctricas.
- Conecte las cargas eléctricas en la posición de apagado (OFF), luego encienda (ON) para su operación.
- Apague (OFF) las cargas eléctricas y desconéctelas del generador antes de parar el generador.

Parado Del Motor

1. Desconecte todas las cargas eléctricas de los tomacorrientes del panel del generador. NUNCA de arranque o detenga el motor con todos los dispositivos eléctricos conectados y encendidos.
2. Deje que el motor funcione sin cargas por algunos minutos para estabilizar las temperaturas internas del motor y el generador.
3. Sitúe el interruptor On/Off en la posición "Off".
4. Gire la válvula de combustible blanca hasta la posición "Off".



PRECAUCIÓN

El motor podría petardear, incendiarse o dañarse.

- NO coloque la palanca estranguladora en la posición "Choke" para parar el motor.

RECEPTÁCULOS

PRECAUCIÓN

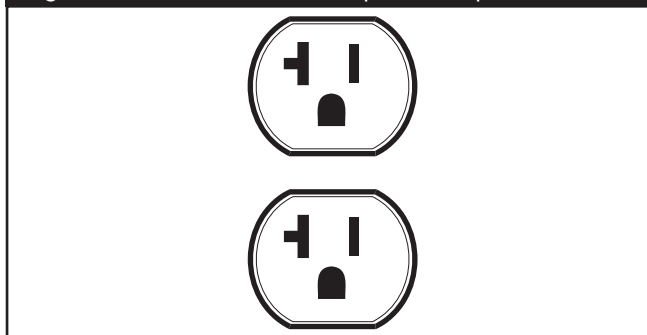
El valor nominal que se indica en los enchufes hembra puede ser superior a la capacidad de salida del generador.

- NUNCA intente suministrar corriente a un dispositivo de amperaje superior al que puede suministrar el generador o el enchufe hembra.
- NO sobrecargue el generador. Consulte el apartado "No Sobrecargue Generador".

120 Volt AC, 20 Amperios, Receptáculos Dobles

Cada receptáculo (Figura 21) está protegido en contra de sobrecargas por un corto-circuitos del tipo "empuje para reposicionar".

Figura 21 — 120 Voltios AC, 20 Amperios Receptáculo Dobles

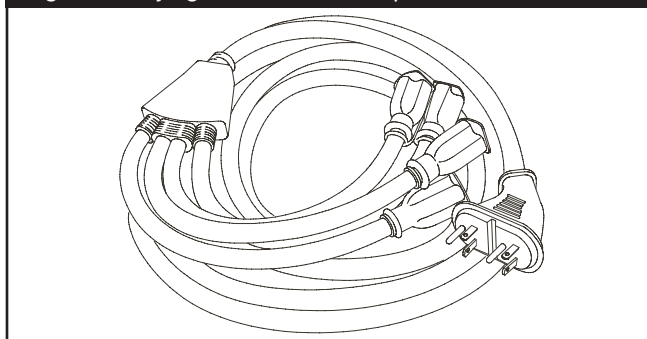


Use cada receptáculo para operar 120 Voltios AC, de fase sencilla, de cargas de 60Hz que requieren hasta 2,400 vatios (2.4 kW) a corrientes de 20 Amperios. Use los juegos de cables que son calificados para cargas de 125 Voltios AC, a 20 Amperios (o mayores).

JUEGO DE CABLES DEL ADAPTADOR DEL GENERADOR

El generador está equipado con un Juego de Cables del Adaptador del Generador de 25 pies, diseñado para un circuito neutro a tierra de 120 voltios, 20 Amperios (Figura 22). El juego de cables del adaptador del generador provee un suministro conveniente de energía para cualquier emergencia en su propiedad, de tal manera que su generador pueda ser operado seguramente en el exterior.

Figura 22 — Juego de Cables del Adaptador del Generador



La carga máxima en cada tomacorriente es de 20 Amperios. La carga máxima total tanto en el tomacorriente de cable amarillo como el tomacorriente de cable negro, es de 20 Amperios.

NOTA: Siga todas las instrucciones de seguridad cuando conecte cualquier cable de extensión o aparato al generador.

NO SOBRECARGUE GENERADOR

Capacidad

Usted debe asegurarse que su generador puede proveer el suficiente vataje calificado (cuando esté funcionando) y de carga (al encender) para los aparatos a los cuales va a proveer la energía, al mismo tiempo. Siga estos pasos:

1. Seleccione los aparatos que recibirán la energía, al mismo tiempo.
2. Totalice los vatios calificados (cuando esté funcionando) de estos aparatos. Esta es la cantidad de energía que su generador debe producir para mantener esos aparatos funcionando adecuadamente. Vea la Figura 23.
3. Calcule la cantidad de vatios de carga (al encender) que usted necesitará. El vataje de carga es la cantidad mínima de electricidad, necesaria para encender herramientas o aparatos con motores eléctricos, tales como, sierras circulares o refrigeradores. Debido a que no todos los motores se encienden al mismo momento, el vataje total de carga se puede estimar al añadir solamente el(los) aparato(s) con el vataje adicional más alto, al total del vataje calificado, obtenido en el paso 2.

Ejemplo:

Herramienta o Aparato Eléctrico	Vatios Calificados (cuando esté funcionando)	Vatios Adicionales de Carga (al encender)
Aire Acondicionado de Ventana	1200	1800
Refrigerador	800	1600
Congelador industrial	500	500
Televisión	500	-
Luz (75 Vatios)	75	-
	Total = 3075 Vatios para funcionar	1800 (Vatios de Carga más alto)

Vataje Total Calificado (cuando esté funcionando) = 3075

Vataje de Carga Adicional más alto = 1800

Salida Total Requerida del Generador = 4875

Control de la Energía

Para prolongar la vida de su generador y los aparatos que estén conectados al mismo, es muy importante cuidarlo cuando se le añaden cargas eléctricas. Nada debería estar conectado a los tomacorrientes del generador antes de que su motor sea encendido. La forma correcta y más segura para controlar la energía del generador, es la de añadir en secuencias las cargas, como se describe a continuación:

1. Sin tener nada conectado al generador, encienda el motor de la manera descrita en este manual.
2. Conecte y encienda la primera carga, preferiblemente la mayor que usted tenga.
3. Permita que la salida del generador se estabilice (el motor funciona suavemente y el aparato conectado al mismo trabaja adecuadamente).

4. Conecte y encienda la próxima carga.
5. De nuevo, permita que el generador se estabilice.
6. Repita los pasos 4 y 5 para cada carga adicional que usted tenga.

NUNCA añada más cargas sobre la capacidad del generador. Tome una atención especial en considerar las cargas de corriente según la capacidad del generador, como se describe arriba.

Figura 23 - Guía de Referencia de Vataje

Herramienta o Aparato Eléctrico	Vatios Calificados* (cuando esté funcionando)	Vatios Adicionales de Carga (al encender)
Esenciales		
Bombilla - 75 vatios	75	-
Congelador industrial	500	500
Bomba de aguas negras	800	1200
Refrigerador / congelador - 18 pies cúbicos	800	1600
Bomba de agua - 1/3 HP	1000	2000
Calefacción / enfriamiento		
Aire Acond. de ventana - 10.000 BTU	1200	1800
Ventilador de ventana	300	600
Calefactor de caldera - 1/2 HP	800	1300
Cocina		
Horno de microondas - 1.000 Vatios	1000	-
Cafetera	1500	-
Cocina eléctrica - Elemento simple	1500	-
Calentaplatos	2500	-
Habitación Familiar		
Tocador de DVD/CD	100	-
VCR	100	-
Receptor estéreo	450	-
Televisor a color - 27 pulg.	500	-
Computadora personal con monitor de 17 pulg.	800	-
Otros		
Sistema de seguridad	180	-
Radio-Reloj AM/FM	300	-
Abridor de garaje - 1/2 HP	480	520
Calentador eléctrico de agua - 40 galones	4000	-
Taller		
Luz de halógeno para trabajar	1000	-
Rociador sin aire - 1/3 HP	600	1200
Sierra intercambiable	960	960
Taladro eléctrico - 1/2 HP	1000	1000
Sierra circular - 7 1/4 pulg.	1500	1500
Sierra inglete - 10 pulg.	1800	1800
Mesa de planificación - 6 pulg.	1800	1800
Sierra de mesa / sierra de brazo radial - 10 pulg.	2000	2000
Compresor de aire - 1-1/2 HP = Caballo de fuerza.	2500	2500

*El vataje que aparece en la lista es solamente una cantidad aproximada. Verifique la herramienta o aparato eléctrico para obtener el vataje verdadero.

INFORMACIÓN TÉCNICA SOBRE EL MOTOR

El motor es de uno cilindros, de válvulas en cabeza (OHV), refrigerado por aire y de baja emisión.

En el Estado de California, los motores de la serie I50000 han obtenido la certificación del California Air Resources Board (Consejo de recursos de aire de California) de cumplimiento de la normativa sobre emisiones durante 250 horas. Esta certificación no supone para el comprador, el propietario o el usuario ninguna garantía adicional en lo relativo al rendimiento y a la vida útil del motor. Las garantías del motor atañen exclusivamente al producto y a las emisiones que se declaran en este manual.

Potencia Nominal

* Los valores de potencia nominal de un modelo de motor se establecen en primer lugar con el código J1940 (Procedimiento de valoración de potencia y par de pequeños motores, Revisión 2002-05) de la SAE (Society of Automotive Engineers, Sociedad de ingenieros de automoción). Dada la amplia variedad de productos que utilizan nuestros motores y la multitud de factores ambientales que pueden afectar a su funcionamiento, el motor que ha adquirido puede no llegar a desarrollar su potencia nominal cuando se utilice con un aparato mecánico (potencia real "in situ"). Esta diferencia se debe, entre otros, a los siguientes factores: diferencias de altitud, temperatura, presión barométrica, humedad, combustible, lubricación del motor, velocidad máxima controlada del motor, variaciones entre distintos motores del mismo modelo, diseño del equipo mecánico utilizado, manera de hacer funcionar el motor, rodaje del motor para reducir la fricción y limpiar las cámaras de combustión, ajustes de las válvulas y el carburador, etc. Los valores de potencia nominal también se puede ajustar en función de las comparaciones con otros motores similares utilizados en aplicaciones similares, por lo que no coincidirá necesariamente con los valores que se obtienen al aplicar los códigos mencionados.

ESPECIFICACIONES DEL PRODUCTO

Especificaciones del Generador

Vataje	5000 vatios (5.0 kW)
Vataje que Empieza	6250 Vatios (6.25 kW)
Voltaje Nominal AC	120/240 Voltios
Corriente a 120 Voltios	41.6 Amperios
Frecuencia Nominal	60Hz a 3600 rpm
Fase	Monofásica
Peso que Embarca	140 lbs.

Especificaciones del Motor

Potencia bruta*	8.0 a 3600 rpm
Diámetro de camisa	75 mm (2,97 pulgadas)
Carrera	56 mm (2,20 pulgadas)
Desplazamiento	249 cc (15.22 pulgadas)
Bujía	
Tipo	Champion RC12YC o equivalente
Calibrar Separación a:	0.030 pulgadas (0.76mm)
Entrehierro del inducido:	0,25-0,36 mm (0,010-0,014 pulgadas)
Holgura de la válvula con muelles de válvula instalados y pistón de 6 mm (0,25 pulgadas) pasado el punto muerto superior (comprobar con el motor en frío)	
Admisión	0,10-0,15 mm (0,004-0,006 pulgadas)
Escape	0,23-0,28 mm (0,009-0,011 pulgadas)
Capacidad de Gasolina	4 galones americanos
Capacidad de Aceite	0.6 litros (20 onzas)

NOTA: Para que el rendimiento sea óptimo, la carga del generador no debe superar el 85% de la potencia nominal en vatios. La potencia bruta del motor se reducirá un 3,5% por cada 300 m (1.000 pies) de altitud sobre el nivel del mar y un 1% por cada 5,6 °C (10 °F) por encima de 25 °C (77 °F). El funcionamiento será satisfactorio hasta un ángulo de inclinación de 15°.

RECOMENDACIONES GENERALES

El mantenimiento periódico mejorará el rendimiento y prolongará la vida útil del generador. Acuda a un distribuidor autorizado para reparar la unidad.

La garantía del generador no cubre los elementos que hayan sido sujetos al abuso o negligencia del operador. Para recibir el valor completo de la garantía, el operador deberá mantener el generador de la forma descrita en este manual.

Se deberán llevar a cabo algunos ajustes periódicamente para mantener correctamente su generador.

Todos los ajustes de la sección Servicio y Ajustes de este manual deberán ser hechos por lo menos una vez en cada estación. Cumpla con los requisitos de la tabla "Programa de Mantenimiento" descrita anteriormente en la Figura 24.

NOTA: Una vez al año deberá limpiar o reemplazar la bujía y reemplazar el filtro de aire. Una bujía nueva y un filtro de aire limpio garantizan una mezcla de combustible-aire adecuada y ayuda a que su motor funcione mejor y tenga una vida útil más prolongada.

MANTENIMIENTO DEL GENERADOR

El mantenimiento del generador consiste en conservar la unidad limpia y seca. Opere y almacene la unidad en un ambiente limpio y seco donde no será expuesta al polvo, suciedad, humedad o vapores corrosivos. Las ranuras del aire de enfriamiento del generador no deben estar tapadas con nieve, hojas, o cualquier otro material extraños.

Revise frecuentemente la limpieza del generador y límpiolo cuando esté con polvo, sucio, con aceite, humedad, o cuando otras sustancias extrañas sean visibles en su superficie exterior.

NOTA: NO utilice agua u otros líquidos para limpiar el generador. Los líquidos pueden penetrar en el circuito de combustible del motor y provocar pérdidas de rendimiento o fallos. Asimismo, si penetran líquidos en el generador a través de las ranuras del aire de refrigeración, parte del líquido puede permanecer en los huecos y rendijas del aislamiento del devanado del rotor y del estator. El líquido y la acumulación de suciedad en los devanados internos del generador pueden reducir la resistencia del aislamiento.

Limpieza del Generador

Limpie a diario, o antes de cada uso, los residuos acumulados en el generador. Mantenga limpias las conexiones, los muelles y los mandos. Limpie todo resto de combustible de la zona que rodea al silenciador y de detrás del mismo.

Mantenga limpios los componentes del generador para reducir el riesgo de sobrecalentamiento e ignición de los residuos acumulados.

- Utilice un trapo húmedo para limpiar las superficies exteriores.
- Puede usar un cepillo de cerdas suaves para retirar la suciedad endurecida, aceite, etc.
- Puede usar una máquina aspiradora para eliminar suciedad y residuos sueltos.

Figura 24 – Programa de Mantenimiento

TAREA DE MANTENIMIENTO	INTERVALO DE OPERACIÓN POR HORA				FECHAS DE SERVICIO		
	Antes de Cada Uso	Cada 25 Horas o al Año	Cada 50 Horas o al Año	Cada 100 Horas o al Año			
Verificar el nivel de aceite	X						
Limpie los residuos	X						
Servicio al filtro de aire		X ²					
Cambiar el aceite del motor			X ¹				
Servicio a la bujía				X			
Servicio al sistema de la bujía				X			
Limpie el sistema de refrigeración				X ²			
Preparar almacenamiento	Si la unidad permanecerá sin uso por más de 30 días.						

¹ Cambie el aceite después de las primeras 5 horas de funcionamiento y, en lo sucesivo, cada 50 horas o una vez al año, lo que suceda antes. Cámbielo antes si el motor funciona en condiciones de suciedad o polvo.

² Sustitúyalo con más frecuencia en condiciones de suciedad o polvo.

MANTENIMIENTO

- Puede usar aire a baja presión (que no exceda los 25 psi) para eliminar la suciedad. Inspeccione las ranuras para aire de enfriamiento y la apertura del generador. Estas aperturas deberán mantenerse limpias y despejadas.

PRECAUCIÓN

El tratamiento inadecuado del generador puede dañarlo y acortar su vida productiva.

- NO exponga al generador a una humedad excesiva, polvo, suciedad o vapores corrosivos.
- NO inserte cualquier objeto a través de las ranuras de enfriamiento.

MANTENIMIENTO DEL MOTOR



ADVERTENCIA



Chispear involuntario puede tener como resultado el fuego o el golpe eléctrico.



CUANDO AJUSTE O HAGA REPARACIONES A SU GENERADOR

- Siempre desconecte el alambre de la bujía y colóquelo donde no pueda entrar en contacto con la bujía.

CUANDO PRUEBE LA BUJÍA DEL MOTOR

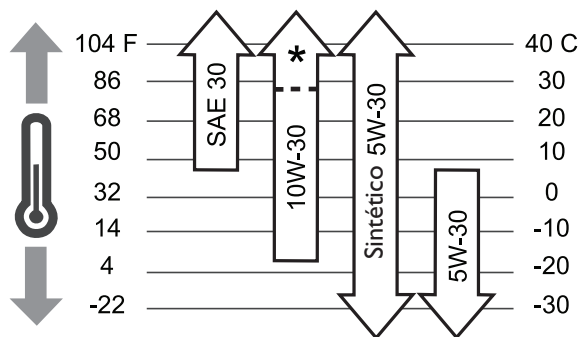
- Utilice un comprobador de bujías homologado.
- NO compruebe la chispa sin la bujía instalada.

Aceite

Recomendaciones sobre el aceite

NOTA: Cuando añada aceite al cárter del motor, utilice sólo aceite detergente de alta calidad con clasificación de servicio SF, SG, SH, SJ o superior. NO utilice aditivos especiales.

1. Elija una viscosidad conforme a la siguiente tabla:



NOTA: Todo aceite sintético que cumpla las especificaciones ILSAC GF-2, con marca de certificación API y con símbolo de servicio API con "SJ/CF ENERGY CONSERVING" o superior es un aceite aceptable a todas las temperaturas. El uso de aceite sintético no altera los intervalos de cambio de aceite indicados.

SAE 30: 5 °C (40 °F) y superior es adecuado para todo tipo de usos por encima de 5 °C (40 °F). El uso por debajo de 5 °C (40 °F) provocará dificultades de arranque.

10W-30: -18 a 38 °C (0 a 100 °F) es mejor en caso de temperatura variable. Este grado de aceite mejora el arranque en climas fríos, pero puede aumentar el consumo de aceite a 27 °C (80 °F) o temperaturas superiores.

*Compruebe el nivel de aceite con frecuencia a temperaturas superiores.

Sintético 5W-30: -30 a 40 °C (-20 a 120 °F) proporciona la mejor protección a todas las temperaturas al tiempo que mejora el arranque y reduce el consumo de aceite.

5W-30: 5 °C (40 °F) e inferior es el aceite recomendado para el invierno y funciona mejor en condiciones de frío.

Comprobación del Nivel de Aceite

Compruebe el nivel de aceite antes de cada uso o cada 5 horas de funcionamiento, como mínimo. Rellene si es necesario.

1. Coloque el generador sobre una superficie nivelada.
2. Quite el tapón de llenado de aceite y límpielo con un trapo.
3. Compruebe que el aceite llega hasta el punto de desbordamiento en el orificio de llenado.
4. Instale el tapón de llenado de aceite, apriete firmemente.

Adición de Aceite del Motor

1. Asegúrese de que la generador esté en una superficie plana.
2. Compruebe el nivel de aceite tal como se indica en la sección "Comprobación del nivel de aceite".
3. Si es necesario, vierta lentamente aceite por el orificio de llenado hasta el punto de desbordamiento en el tapón de llenado de aceite.
4. Instale el tapón de llenado de aceite, apriete firmemente.

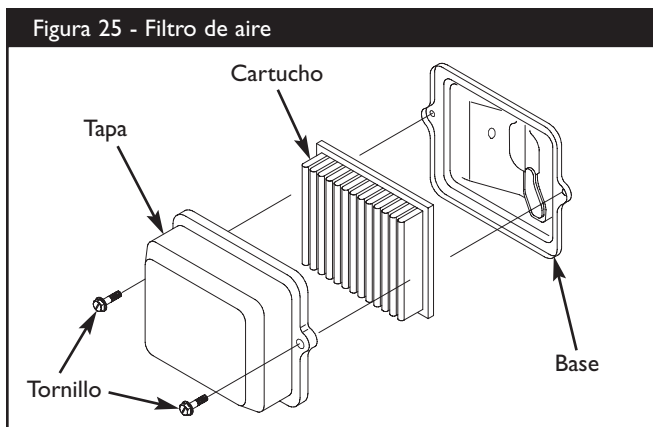
Servicio del Depurador de Aire

Si se utiliza con un filtro de aire sucio, el motor no funcionará correctamente y puede sufrir daños.

Cambie el filtro de aire cada 25 horas de funcionamiento o una vez al año, lo que suceda antes. Haga cambios más frecuentes si trabaja en zonas sucias o donde hay polvo.

Para dar servicio al filtro de aire, siga los pasos que se detallan a continuación:

1. Afloje los tornillos y quite la cubierta más limpia. Quite el papel del filtro (Figura 25).



2. Instale limpio (o nuevo) aire la asamblea más limpia dentro de la cubierta. Deshágase del filtro viejo apropiadamente.
3. Arme la cubierta más limpia aérea en la base y apriete los tornillos.

Cambio de Aceite del Motor

Cambie el aceite después de las primeras 5 horas de operación. Cambie el aceite y el filtro cada 50 horas de ese momento en adelante. Si está utilizando su generador bajo condiciones de extrema suciedad o polvo, o en un clima demasiado caliente, haga el cambio de aceite más frecuentemente.



PRECAUCIÓN

Evite el contacto prolongado o repetido de piel con aceite usado de motor.

- El aceite usado del motor ha sido mostrado al cáncer de la piel de la causa en ciertos animales del laboratorio.
- Completamente lavado expuso áreas con el jabón y el agua.



MANTENER FUERA DEL ALCANCE DE LOS NIÑOS.
NO CONTAMINE. CONSERVE LOS RECURSOS.
DEPOSITE EL ACEITE USADO EN UN PUNTO DE RECOGIDA.

Cambie el aceite cuando el motor siga estando caliente después de haber funcionado:

1. Asegúrese de que la unidad esté en una superficie plana.
2. Desconecte el cable de la bujía de esta y colóquelo donde no pueda entrar en contacto con la bujía.
3. Limpie la zona de alrededor del tapón de vaciado de aceite, situado en la base del motor, al otro lado del carburador.

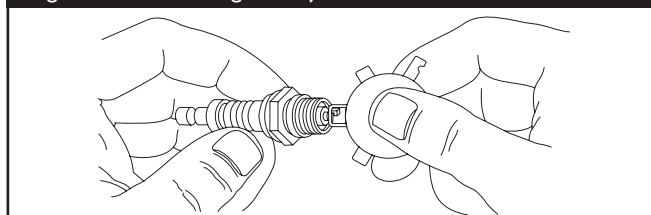
4. Quite el tapón de llenado de aceite y vacíe todo el aceite en un recipiente adecuado.
5. Vuelva a colocar el tapón de vaciado y apriételo bien. Quite el tapón de llenado de aceite.
6. Vierta lentamente unos 0,6 litros (20 onzas) de aceite por el orificio de llenado hasta el punto de desbordamiento. NO añada aceite en exceso.
7. Vuelva a colocar el tapón de llenado de aceite Apriételo firmemente a mano.
8. Limpie los residuos de aceite.

Limpie/Reemplace la Bujía

Cambie la bujía cada 100 horas de operación o una vez al año, lo que suceda primero. Esto ayudará a su motor a arrancar más fácilmente y a funcionar mejor.

1. Limpie el área alrededor de la bujía.
2. Retire y revise la bujía.
3. Revise la separación del electrodo con un calibrador de alambre y ajuste la separación a 0.030 pulgadas (0.76mm) si es necesario (Figura 26).

Figura 26 — Mantenga El Bujía



4. Reemplace la bujía si los electrodos están picados, quemados o si la porcelana está rota. Utilice una bujía de repuesto recomendada.
5. Instale la bujía y apriétela firmemente.

Limpie la Pantalla Apagachispas

El silenciador del escape del motor posee una pantalla apagachispas. Inspeccione y limpie la pantalla cada 100 horas de operación o una vez al año, lo que suceda primero.

El generador tendrá que tener un apagachispas si lo usa en terrenos no tratados cubiertos de monte, maleza o pasto. El apagachispas deberá ser mantenido en buenas condiciones por parte del propietario/operador.

⚠️ ADVERTENCIA



Los motores al funcionar producen calor. La temperatura del silenciador y de las áreas cercanas puede alcanzar o pasar los 150°F (65°C).

Quemaduras severas pueden ocurrir al hacer contacto.



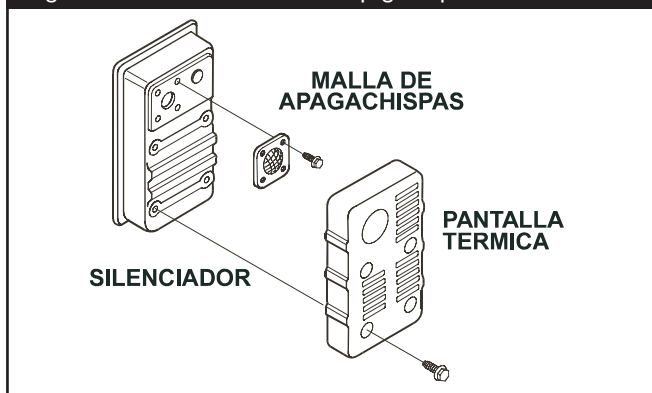
Los gases y el calor de escape pueden inflamar los materiales combustibles y las estructuras o dañar el depósito de combustible y provocar un incendio.

- NO toque las superficies calientes y evite los gases del escape a alta temperatura.
- Permita que el equipo se enfríe antes de tocarlo.
- Deje un espacio mínimo de 152 cm (5 pies) alrededor del generador, incluida la parte superior.
- El Código de Normativa Federal (CFR, Título 36: Parques, Bosques y Propiedad Pública) obliga a instalar una pantalla apagachispas en los equipos con motor de combustión interno y a mantenerla en buenas condiciones de funcionamiento, conforme a la norma 5100-1C (o posterior) del Servicio Forestal de la USDA. En el Estado de California, la ley exige el uso de una pantalla apagachispas (Sección 4442 del Código de Recursos Públicos de California). En otros estados puede haber leyes similares en vigor.

Limpie e inspeccione el apagachispas de la siguiente manera:

1. Para retirar la protección del silenciador, retire los cuatro tornillos que conectan la protección a la ménsula del silenciador (Figura 27).

Figura 27 — Servicio al Pantalla Apagachispas

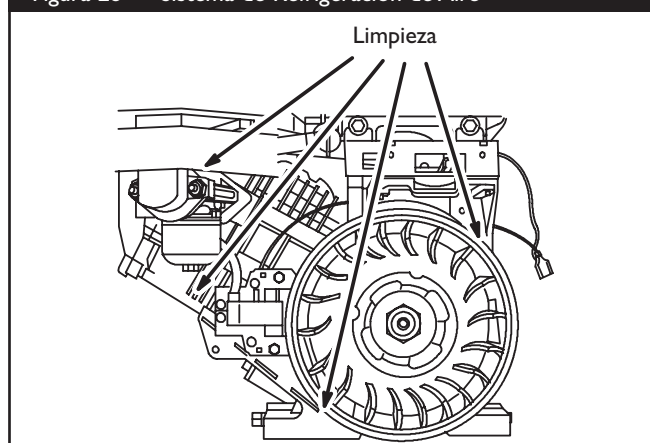


2. Retire los cuatro tornillos que sostienen la pantalla apagachispas.
3. Inspeccione la pantalla y reemplácela si está rota, perforada o dañada. NO use pantallas defectuosas. Si la pantalla no está dañada, límpiela con un disolvente comercial.
4. Vuelva a instalar la pantalla y la protección del silenciador.

Sistema de Refrigeración de Aire

Con el tiempo, se pueden acumular residuos en las aletas de refrigeración del cilindro y pasar inadvertidos mientras no se desmonte parcialmente el motor. Recomendamos que encargue la limpieza del sistema de refrigeración (Figura 28) a un distribuidor de servicio siguiendo los intervalos recomendados (consulte la sección "Plan de mantenimiento" en la página 35). Es igualmente importante que no se acumulen residuos en el motor. Consulte la sección "Limpieza del generador".

Figura 28 — Sistema de Refrigeración de Aire



Ajuste del Carburador

El carburador de este motor es de baja emisión. Está equipado con una válvula de mezcla de ralentí no ajustable y, en algunos casos, con ralentí regulado. Los niveles de ralentí regulado y velocidad máxima se ajustan en la fábrica. Si es necesario modificarlos, acuda a un distribuidor de servicio.



PRECAUCIÓN

Las velocidades de operación en exceso, aumentan los riesgos de heridas y daños al generador.

Las velocidades bajas en exceso, imponen una carga muy pesada.


- NO cambie ninguna velocidad determinada. El generador suministra una frecuencia y un voltaje calificado cuando funciona a una velocidad determinada.
- NO modifique al generador en ninguna forma.

ALMACENAMIENTO

El generador deberá ser encendido al menos una vez cada siete días y deberá dejarlo funcionar al menos durante 30 minutos. Si no puede hacer esto y debe almacenar la unidad por más de 30 días, siga las siguientes instrucciones para preparar su unidad para almacenamiento.

Almacenamiento Para Periodos Prolongados

Es importante evitar que se formen depósitos de goma en las partes esenciales del sistema de combustible, como el carburador, filtro de combustible, manguera o tanque de combustible, durante el almacenamiento. También, la experiencia indica que los combustibles con mezclas de alcohol (llamados gasohol, etanol o metanol) pueden atraer humedad, la cual lleva a la separación y formación de ácidos durante el almacenamiento. El gas ácido puede dañar el sistema de combustible de un motor durante su almacenamiento.

 ADVERTENCIA	
	La combustible y sus vapores son extremadamente inflamables y explosivos.
	El fuego o una explosión pueden causar quemaduras severas e inclusive la muerte.
CUANDO ALMACENE O GUARDE EL EQUIPO CON COMBUSTIBLE EN EL TANQUE	
<ul style="list-style-type: none"> Almacene alejado de calderas, estufas, calentadores de agua, secadoras de ropa u otros aparatos electrodomésticos que posean pilotos u otras fuentes de ignición, porque ellos pueden encender los vapores de la combustible. 	
CUANDO VACÍE EL DEPÓSITO DE COMBUSTIBLE	
<ul style="list-style-type: none"> Apague el generador (posición OFF) y déjelo enfriar al menos por 2 minutos antes de remover la tapa de la combustible. Afloje la tapa lentamente para dejar que la presión salga del tanque. Vacíe el depósito de combustible a la intemperie. Mantenga la combustible alejada de chispas, llamas abiertas, pilotos, calor y otras fuentes de ignición. NO encienda un cigarrillo o fume. 	

Proteja el Sistema de Combustible

Estabilizador de Combustible:

Siga estas instrucciones cuando almacene combustible durante más de 30 días.

Para evitar la formación de residuos en el circuito de combustible, utilice el estabilizador de combustible FRESH START™, el aditivo FRESH START™ (cartucho de líquido concentrado) o el conservante estabilizador FRESH START™ (granular) de Briggs & Stratton.

Si utiliza estabilizador de combustible, no necesita vaciar el depósito antes del almacenamiento. Si utiliza el aditivo FRESH START™ (cartucho de líquido concentrado), no necesita vaciar el depósito antes del almacenamiento siempre que el cartucho contenga estabilizador suficiente para todo el período de almacenamiento.

- Ponga en funcionamiento el motor en un área descubierta por varios minutos para asegurarse de que la gasolina tratada ha reemplazado la gasolina no tratada del carburador.

Si no usa aditivo para combustible, retire todo el combustible del tanque y haga funcionar el motor hasta que se detenga por falta de combustible.

Cambio de Aceite

Con el motor todavía caliente, drene el aceite de la caja del cigüeñal. Vuelva a llenarlo con el grado de aceite recomendado.

Aceite el Diámetro Interior del Cilindro

- Quite la bujía y vierta aproximadamente 15 ml (1/2 onza) de aceite de motor limpio en el interior del cilindro.
- Coloque la bujía y arranque lentamente para distribuir el aceite.



 ADVERTENCIA	
	Chispear involuntario puede tener como resultado el fuego o el golpe eléctrico.
	
<ul style="list-style-type: none"> NUNCA arranque el motor sin la bujía instalada. 	

Generador

- Limpie el generador como está descrito en "Limpieza del Generador".
- Revise que las ranuras para el aire de enfriamiento y las aperturas del generador se encuentren abiertas y despejadas.

Otras Sugerencias Para el Almacenamiento

- NO guarde combustible de una temporada a otra a menos que lo haya tratado como se indica en la sección "Protección del Sistema de Combustible".
- Reemplace la caneca de gasolina si comienza a oxidarse. El óxido y/o la suciedad en la gasolina le causará problemas.
- Si es posible, almacene su unidad en un recinto encerrado y cúbrala para protegerla del polvo y la suciedad. **ASEGURESE DE VACIAR EL TANQUE DEL COMBUSTIBLE.**
- Cubra su unidad con una cubierta de protección adecuada que no retenga humedad.

 ADVERTENCIA	
	Las cubiertas para almacenamiento pueden ser inflamables.
<ul style="list-style-type: none"> NO coloque una cubierta encima de un generador caliente. Deje que la unidad se enfríe lo suficientemente antes de que le coloque la cubierta. 	

- Almacene la unidad en un área limpia y seca.

DIAGNOSTICOS DE AVERÍAS

DIAGNOSTICOS DE AVERÍAS

Problema	Causa	Accion
El motor está funcionando pero no existe salida de AC disponible.	<ol style="list-style-type: none"> 1. El interruptor automático de circuito está abierto. 2. Conexión mal o defectuosa del juego de cables. 3. El dispositivo conectado está dañado. 4. Avería en el generador. 	<ol style="list-style-type: none"> 1. Reposicione el interruptor. 2. Revise y repare. 3. Conecte otro dispositivo que esté buenas condiciones. 4. Contacte el distribuidor de servicio autorizado.
El motor funciona bien sin carga pero "funciona mal" cuando se le conectan cargas.	<ol style="list-style-type: none"> 1. Corto circuito en una de las cargas conectadas. 2. El generador está sobrecarga. 3. Velocidad del motor es muy lenta. 4. Circuito del generador en corto. 	<ol style="list-style-type: none"> 1. Desconecte la carga eléctrica en corto. 2. Vea "No Sobrerecarque Generador". 3. Contacte el distribuidor de servicio autorizado. 4. Contacte el distribuidor de servicio autorizado.
El motor no se enciende; o se enciende y funciona mal.	<ol style="list-style-type: none"> 1. Válvula del Combustible en posición "Off". 2. Interruptor On/Off poscioando en "Off". 3. Depurador de aire sucio. 4. Sin gasolina. 5. Gasolina vieja. 6. El cable de la bujía no está en malas la bujía. 7. Bujía defectuosa. 8. Agua en la gasolina. 9. Sobrecebado. 10. Mezcla de combustible excesivamente rica. 11. La válvula de entrada está atascada está cerrada. 12. El motor ha perdido compresión. 	<ol style="list-style-type: none"> 1. Gire la válvula del combustible a la posición "On". 2. Coloque del interruptor On/Off en "On". 3. Limpie o reemplace el depurador de aire. 4. Llénelo con combustible fresco. 5. Drene el tanque de gasolina; llénelo con combustible fresco. 6. Conecte el cable a la bujía. 7. Reemplace la bujía. 8. Drene el tanque de gasolina; llénelo con combustible fresco. 9. Abra por completo el cebador y haga girar el motor. 10. Contacte el distribuidor de servicio autorizado. 11. Contacte el distribuidor de servicio autorizado. 12. Contacte el distribuidor de servicio autorizado.
El motor se apaga en pleno funcionamiento.	Sin gasolina.	Llene el tanque de combustible.
Al motor le hace falta potencia.	<ol style="list-style-type: none"> 1. La carga es muy alta. 2. Filtro de aire sucio. 	<ol style="list-style-type: none"> 1. Vea "No Sobrerecarque Generador". 2. Reemplace el filtro de aire.
El motor "no funciona continuamente" o se detiene.	Carburador con mezcla de aire-combustible muy rica o muy pobre.	Contacte el distribuidor de servicio autorizado.

NOTAS

GARANTÍA DEL SISTEMA DE CONTROL DE EMISIONES

Briggs & Stratton Corporation (B&S), el California Air Resources Board (CARB, Consejo de recursos de aire de California) y la United States Environmental Protection Agency (U.S. EPA, Agencia estadounidense de protección del medioambiente)

Garantía del sistema de control de emisiones (Garantía contra defectos, derechos y obligaciones del propietario)(Droits et obligations du propriétaire relatifs à la garantie contre les défauts)

Garantía contra defectos del sistema de control de emisiones de California, Estados Unidos y Canadá

California Air Resources Board (CARB), U.S. EPA y B&S le explican a continuación la garantía del sistema de control de emisiones de su pequeño motor para máquinas de servicio (SORE, Small Offroad Engine). En California, los modelos de pequeños motores para máquinas de servicio a partir del año 2006 deben estar diseñados, fabricados y equipados conforme a los exigentes estándares de lucha contra la contaminación del Estado. En otros lugares de Estados Unidos, los modelos de motores para máquinas de servicio con encendido por bujía a partir del año 1997 deben cumplir normas similares determinadas por la U.S. EPA. B&S debe garantizar el sistema de control de emisiones de su motor durante los períodos que se indican a continuación, siempre que no se haya hecho un uso indebido o negligente ni un mantenimiento inadecuado del pequeño motor para máquinas de servicio.

El sistema de control de emisiones incluye las siguientes piezas: carburador, filtro de aire, sistema de encendido, conducto de combustible, silenciador y convertidor catalítico. También puede incluir conectores y otros conjuntos relacionados con las emisiones.

Si se cumplen las condiciones de la garantía, B&S reparará el motor sin coste alguno, incluido el diagnóstico, las piezas y la mano de obra.

Cobertura de la garantía contra defectos del sistema de control de emisiones de Briggs & Stratton

Los pequeños motores para máquinas de servicio están garantizados contra defectos de las piezas de control de emisiones durante un período de dos años, conforme a las siguientes disposiciones. Si cualquier pieza del motor con cobertura es defectuosa, será reparada o sustituida por B&S.

Responsabilidades de la garantía del propietario

Como propietario del pequeño motor para máquinas de servicio, usted es responsable de la correcta realización de las operaciones de mantenimiento que se enumeran en las Instrucciones de uso y mantenimiento. B&S recomienda conservar todas las facturas relativas al mantenimiento del motor; pero B&S no puede denegar la garantía basándose únicamente en la falta de facturas o en la imposibilidad por parte del propietario de asegurar la correcta realización de todas las operaciones de mantenimiento.

Como propietario del pequeño motor para máquinas de servicio, debe ser consciente de que B&S puede denegar la cobertura de la garantía si el motor o uno de sus componentes falla debido a un uso indebido o negligente, un mantenimiento inadecuado o modificaciones no autorizadas.

Usted es responsable de presentar su pequeño motor para máquinas de servicio a un distribuidor autorizado de servicio B&S en el momento en que surja un problema. Las reparaciones cubiertas por la garantía se llevarán a cabo en un plazo razonable, no superior a 30 días en ningún caso.

En caso de preguntas sobre los derechos y responsabilidades relativos a la garantía, consulte con un representante de servicio de B&S llamando al 1-414-259-5262.

La garantía de emisiones es una garantía contra defectos. Los defectos se juzgan en función del rendimiento normal del motor. La garantía no dependerá de ninguna prueba de emisiones en funcionamiento.

Disposiciones de la garantía contra defectos del sistema de control de emisiones de Briggs & Stratton

A continuación se detallan las disposiciones concretas relativas a la Cobertura de la garantía contra defectos del sistema de control de emisiones. Se añaden a la garantía de motores de B&S para motores no regulados, que figura en el Manual del propietario.

1. Piezas garantizadas

La presente garantía cubre únicamente las piezas que se enumeran a continuación (piezas del sistema de control de emisiones) siempre que tales piezas estuvieran presentes en el motor adquirido.

- a. Sistema de regulación de combustible
 - Sistema de enriquecimiento para arranque en frío (estrangulador electrónico)
 - Carburador y piezas internas
 - Bomba de combustible
 - Conducto de combustible, acoplamiento del conducto de combustible, abrazaderas
- b. Sistema de inducción de aire
 - Filtro de aire
 - Colector de admisión
- c. Sistema de encendido
 - Bujía(s)
 - Sistema de encendido magnético
- d. Sistema catalizador
 - Convertidor catalítico
 - Colector de escape
 - Sistema de inyección de aire o válvula de impulso
- e. Elementos diversos utilizados en los sistemas anteriores
 - Válvulas y conmutadores de aspiración, temperatura, posición y temporizados
 - Conectores y unidades

2. Duración de la cobertura

B&S garantiza al propietario inicial y a cada comprador posterior que las piezas garantizadas no tendrán defectos de materiales ni de mano de obra que provoquen su fallo durante un período de dos años a partir de la fecha de entrega del motor a su comprador

3. Servicio gratuito

La reparación o sustitución de toda pieza garantizada se realizará sin cargo alguno para el propietario, incluido el trabajo de diagnóstico que permita determinar que la pieza garantizada es defectuosa, siempre que se realice en un distribuidor autorizado de servicio B&S. En el caso del servicio de garantía de emisiones, póngase en contacto con el distribuidor autorizado de servicio B&S, que figurará en las Páginas Amarillas, en la sección de "Motores de gasolina", "Gasolina, motores", "Cortacéspedes" o similar.

4. Solicitudes y exclusiones de cobertura

Las solicitudes de garantía se cumplimentarán con arreglo a las disposiciones de la Política de garantía de motores B&S. La cobertura no incluye los fallos de piezas garantizadas que no sean originales de B&S ni los fallos debidos al uso indebido o negligente o al mantenimiento inadecuado, conforme a las disposiciones de la Política de garantía de motores B&S. B&S no será responsable de la cobertura de fallos de piezas garantizadas provocados por el uso de piezas complementarias, no originales o modificadas.

5. Mantenimiento

Los fallos de toda pieza garantizada que no se deba sustituir como parte del plan de mantenimiento obligatorio o que sólo se deba inspeccionar periódicamente para proceder a su "reparación o cambio en caso de ser necesario" quedarán cubiertos durante el período de garantía. Los fallos de toda pieza garantizada que deba sustituirse como parte del mantenimiento obligatorio quedarán cubiertos únicamente durante el período comprendido entre la compra y la primera sustitución indicada en el plan de mantenimiento. En las operaciones de mantenimiento y reparación, se podrá utilizar cualquier pieza de recambio de rendimiento y durabilidad equivalentes. El propietario es responsable del cumplimiento de todas las operaciones de mantenimiento obligatorio que se definen en el manual del propietario de B&S.

6. Cobertura de daños derivados

La cobertura se ampliará a los fallos de cualquier componente del motor derivados del fallo de cualquier pieza garantizada y cubierta por la garantía.

Información sobre el período de durabilidad de las emisiones y el índice de aire en la etiqueta de emisiones del motor

Los motores con certificación de cumplimiento de la normativa sobre emisiones de nivel 2 del California Air Resources Board (CARB) deben mostrar información sobre el período de durabilidad de las emisiones y el índice de aire. El fabricante del motor ofrece esta información al consumidor mediante etiquetas de emisiones.

El **período de durabilidad de las emisiones** indica el número de horas durante las cuales el motor puede funcionar cumpliendo las normas sobre emisiones, siempre que se realicen las operaciones de mantenimiento que se detallan en las instrucciones de uso y mantenimiento. Se utilizan las siguientes categorías:

Moderado: El motor está certificado para cumplir la normativa sobre emisiones durante 125 horas de funcionamiento real.

Intermedio: El motor está certificado para cumplir la normativa sobre emisiones durante 250 horas de funcionamiento real.

Prolongado: El motor está certificado para cumplir la normativa sobre emisiones durante 500 horas de funcionamiento real.

Por ejemplo, un cortacésped con operario a pie se suele utilizar entre 20 y 25 horas al año. Por tanto, el **período de durabilidad de las emisiones** de un motor con clasificación **intermedia** equivaldría a 10-12 años.

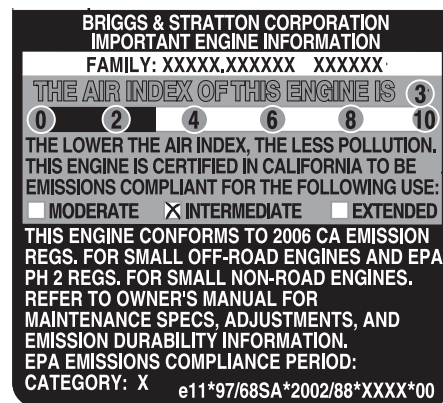
El **índice de aire** es un valor calculado que indica el nivel relativo de emisiones de una gama concreta de motores. Cuanto menor es el **índice de aire**, más limpio es el motor. Esta información se presenta en forma gráfica en la etiqueta de emisiones.

Período de cumplimiento de la normativa de emisiones en la etiqueta de cumplimiento de emisiones del motor

Desde el 1 de julio de 2000, algunos motores Briggs & Stratton cuentan con la certificación de cumplimiento de la fase 2 de las normas sobre emisiones de la United States Environmental Protection Agency (USEPA, Agencia estadounidense de protección del medioambiente). En el caso de los motores con certificación de fase 2, el período de cumplimiento de la normativa sobre emisiones que figura en la etiqueta de cumplimiento de emisiones indica el número de horas de funcionamiento durante las cuales el motor ha demostrado cumplir los requisitos federales sobre emisiones. Para motores de menos de 225 cc, Categoría C = 125 horas, B = 250 horas y A = 500 horas. Para motores de 125 cc o más, Categoría C = 250 horas, B = 500 horas y A = 1000 horas.

La clasificación de este motor es intermedia, con un índice de aire de 3. El período de cumplimiento de la normativa sobre emisiones de la EPA es de categoría C. El motor tiene una cilindrada de 249 cc.

A continuación se muestra una representación genérica de la etiqueta de emisiones típica de un motor certificado.



**POLÍTICA DE GARANTÍA PARA EL PROPIETARIO DE GENERADOR PORTÁTIL
BRIGGS & STRATTON POWER PRODUCTS GROUP, LLC**

Fecha de entrada en vigor: 1 de Febrero de 2006. Sustituye a todas las garantías sin fecha y a las de fecha anterior al 1 Febrero de 2006

GARANTÍA LIMITADA

Briggs & Stratton Power Products Group, LLC reparará o sustituirá sin cargo alguno cualquier componente del generador portátil que presente defectos de materiales y/o mano de obra. Los gastos de transporte de las productos enviadas para reparar o sustituir conforme a los términos de esta garantía correrán a cargo del comprador. El periodo de vigencia y las condiciones de esta garantía son los que se estipulan a continuación. Para obtener servicio en garantía, localice el distribuidor de servicio autorizado más próximo en nuestro mapa de distribuidores, en www.briggspowerproducts.com.

NO EXISTE NINGUNA OTRA GARANTÍA EXPLÍCITA. LAS GARANTÍAS IMPLÍCITAS, INCLUIDAS LAS DE COMERCIABILIDAD O IDONEIDAD PARA UN FIN CONCRETO, SE LIMITAN A UN AÑO DESDE LA FECHA DE COMPRA O AL LÍMITE DE TIEMPO PERMITIDO POR LA LEY. QUEDAN EXCLUIDAS TODAS LAS GARANTÍAS IMPLÍCITAS QUEDA EXCLUIDA LA RESPONSABILIDAD POR DAÑOS SECUNDARIOS Y DERIVADOS HASTA EL LÍMITE PERMITIDO POR LA LEY. Algunos países o estados no permiten limitar la duración de una garantía implícita ni excluir o limitar los daños secundarios y derivados. Por tanto, es posible que las limitaciones y exclusiones mencionadas no sean aplicables en su caso. Esta garantía le otorga determinados derechos legales y es posible que tenga otros derechos que pueden variar de un país o estado a otro.

PERÍODO DE GARANTÍA

Uso del consumidor	2 años
Uso comercial	1 año

* Segundo año despide sólo

El período de garantía comienza en la fecha de compra del primer usuario final y se prolonga durante el tiempo especificado. "Uso del consumidor" significa uso doméstico personal por parte de un consumidor final. "Uso comercial" significa cualquier otro uso, incluidos los usos con fines comerciales, de generación de ingresos o alquiler. Una vez que el equipo se haya usado con fines comerciales, se considerará como equipo de uso comercial a efectos de esta garantía.

NO ES NECESARIO REGISTRAR LA GARANTÍA PARA OBTENER SERVICIO DE BRIGGS & STRATTON PRODUCTS. GUARDE SU RECIBO DE COMPRA. SI NO APORTA LA PRUEBA DE LA FECHA DE COMPRA INICIAL, SE UTILIZARÁ LA FECHA DE FABRICACIÓN DEL PRODUCTO PARA DETERMINAR EL PERÍODO DE GARANTÍA.

ACERCA DE LA EQUIPO GARANTÍA

Esperamos que disfrute de nuestra garantía y le pedimos disculpas por las molestias causadas. Cualquier distribuidor de servicio autorizado puede llevar a cabo reparaciones en garantía. La mayoría de las reparaciones en garantía se gestionan normalmente, pero algunas veces la solicitud de servicio en garantía puede no ser procedente. Por ejemplo, la garantía no será válida si el equipo presenta daños debidos al mal uso, la falta de mantenimiento, el transporte, la manipulación, el almacenamiento o la instalación inadecuados. De manera similar, la garantía quedará anulada si se ha borrado la fecha de fabricación o el número de serie del generador portátil, o si el equipo ha sido alterado o modificado. Durante el período de garantía, el distribuidor de servicio autorizado podrá reparar o sustituir, a su libre elección, cualquier pieza que, previa inspección, sea defectuosa en condiciones normales de uso y servicio. Esta garantía no cubre las reparaciones y equipos que se detallan a continuación:

- **Desgaste normal:** Al igual que cualquier otro aparato mecánico, los equipos de uso en exteriores necesitan piezas y mantenimiento periódicos para funcionar correctamente. Esta garantía no cubre las reparaciones cuando el uso normal haya agotado la vida útil de una pieza concreta del equipo.
- **Instalación y mantenimiento:** Esta garantía no cubre los equipos ni las piezas cuya instalación sea incorrecta o no haya sido autorizada, ni aquellos que hayan sido objeto de cualquier tipo de alteración, mal uso, negligencia, accidente, sobrecarga, exceso de velocidad o mantenimiento, reparación o almacenamiento inadecuados que, a nuestro juicio, haya afectado negativamente a su funcionamiento y su fiabilidad. La garantía tampoco cubre el mantenimiento normal, como los filtros de aire, los ajustes y la limpieza o la obstrucción del sistema de combustión (debido a materias químicas, suciedad, carbón, cal, y así sucesivamente).
- **Otras exclusiones:** También quedan excluidos de esta garantía el desgaste de los artículos tales como juntas tóricas, filtros, etc., o los daños derivados de accidentes, uso indebido, modificaciones, alteraciones, servicio inadecuado, congelación o deterioro químico. Los accesorios tales como empezar baterías, juego de cables del adaptador del generador y cubiertas para almacenamiento quedan excluidos de la garantía del producto. También se excluyen los equipos usados o reacondicionados y los destinados a demostraciones; los equipos utilizados como fuente principal de energía en lugar de un servicio público y los equipos sanitarios destinados al mantenimiento de las constantes vitales. Esta garantía excluye los fallos debidos a hechos fortuitos y a otros acontecimientos de fuerza mayor que escapan al control del fabricante.

**BRIGGS & STRATTON POWER PRODUCTS GROUP, LLC
JEFFERSON, WI, EE.UU**